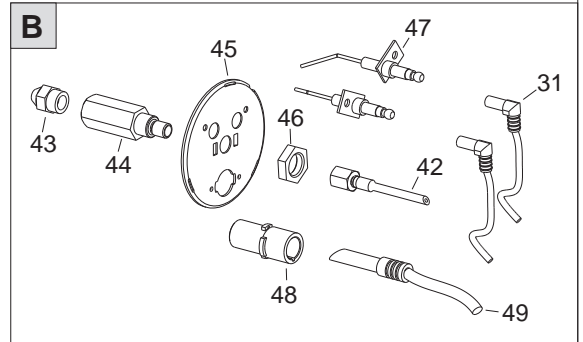
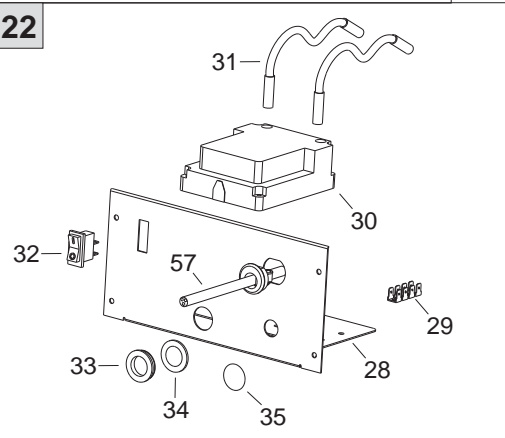
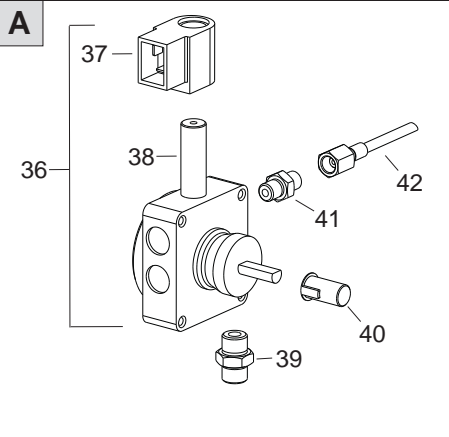
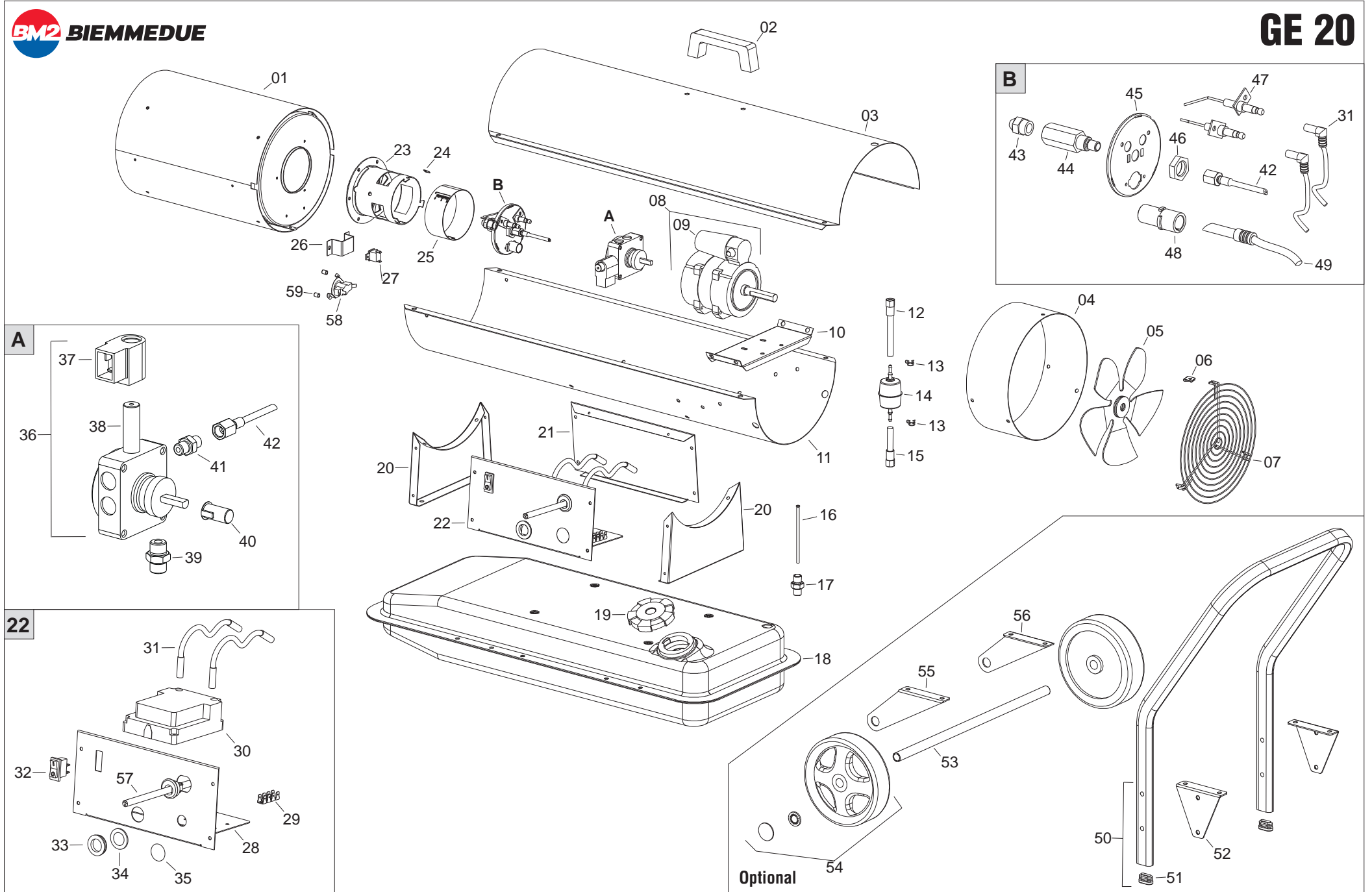




GE 20



Optional

| Pos. | Cod. | € | LEGENDA | LEGENDE | NOMENKLATUR | PART LIST |
|------|-------------|---|--------------------------------------|----------------------------------|---------------------------------------|---------------------------------------|
| 01 | G06251 | | Camera di combustione | Chambre de combustion | Brennkammer | Combustion chamber |
| 02 | C10202 | | Maniglia PL nera | Poignée | Handgriff | Handle |
| 03 | G06252-3001 | | Scocca superiore | Carrosserie sup. | Haube | Upper body |
| 04 | G06253-3001 | | Anello protezione ventilatore | Anneau protection ventilateur | Ring Schutzeinrichtung Ventilator | Fan protection ring |
| 05 | T10251 | | Ventola Ø 200 31° | Ventilateur Ø 200 31° | Ventilator Ø 200 31° | Fan Ø 200 31° |
| 06 | M20412 | | Piastrina doppia U42-182 | Plaque elastique U42-182 | Klemmutter U42-182 | Elastic Plate U42-182 |
| 07 | P30160 | | Griglia aspirazione | Grille protection | Schutzgitter | Inlet grille |
| 08 | E10690 | | Motore 75W c/condens. | Moteur 75W avec condensateur | Motor 75W mit Kondensator | Motor 75W with condenser |
| 09 | E11243 | | Condensatore 4 µF | Condensateur 4 µF | Kondensator 4 µF | Condenser 4 µF |
| 10 | G06254 | | Supporto motore ventola | Bride support moteur | Motor Flansch | Motor flange |
| 11 | G06255-3001 | | Scocca inferiore | Carrosserie Inf. | Karosserie Unterteil | Lower body |
| 12 | I40327 | | Tubo BP 1/4" F L.180mm | Tube BP 1/4" F L.180mm | Rohr BP 1/4" F L.180mm | Tube BP 1/4" F L.180mm |
| 13 | C30729 | | Fascetta per tubo | Collier | Schelle | Clamp |
| 14 | I30414 | | Filtro gasolio compl. | Filter avec cartouche | Filter komp. | Filter with cartidge |
| 15 | I40326 | | Tubo BP 1/4" F L.85mm | Tube BP 1/4" F L.85mm | Rohr BP 1/4" F L.85mm | Tube BP 1/4" F L.85mm |
| 16 | I30700 | | Pescante L.120mm | Pascante L.120mm | Pascante L.120mm | Pascante L.120mm |
| 17 | I30737 | | Niplo OT 1/4" M - M12x1,75 M | Niplo OT 1/4" M - M12x1,75 M | Niplo OT 1/4" M - M12x1,75 M | Niplo OT 1/4" M - M12x1,75 M |
| 18 | G06256-9005 | | Serbatoio gasolio | Réservoir fuel | Tank | Fuel tank |
| 19 | C30356 | | Tappo bocchettone | Bouchon | Pfropfen | Drain plug |
| 20 | G06257-3001 | | Pannello | Panneau | Beplankung | Panel |
| 21 | G06258-3001 | | Pannello laterale | Panneau lateral | Seiten Beplankung | Side panel |
| 22 | G00256-3001 | | Quadro elettrico | Coffret électrique | Elektrokasten | El. componets drawer |
| 23 | G06259 | | Boccaglio | Gueulard | Brennrohr | Blast tube |
| 24 | E20671 | | Morsettiera terra | Barrette de connection | Klemmreiche | Terminal board |
| 25 | G06260 | | Anello regolazione aria | Volet réglage air | Brennluftklappe | Air regulatoin flap |
| 26 | G06221 | | Staffa fissaggio capsula | Box fixing bracket | Kapselbugelbefestigung | Bride de fixage |
| 27 | E50109 | | Capsula termostatica Limit | Thermostat bilame Limit | Thermostat Limit | Limit Thermostat |
| 28 | G06261-3001 | | Supporto quadro elettrico | Support coffret électrique | Steuergeräthalerung | Electr. componets drawer |
| 29 | E20319 | | Morsettiera terra | Barrette de connection | Klemmreiche | Terminal board |
| 30 | E40123 | | Apparecchiatura BERTELLI OBI.0320 | Coffret BERTELLI OBI.0320 | Steuergerät BERTELLI OBI.0320 | Control box BERTELLI OBI.0320 |
| 31 | G02077 | | Cavo A.T. L.500m | Conn. câble L.500m H.T. | H.S. Anschluß L.500m | H.T. Cable connect. L.500m |
| 32 | E10119 | | Interruttore bipolare 0 - 1 | Interruteur 0 - 1 | Schalter 0 - 1 | Switch 0 - 1 |
| 33 | E20418 | | Protezione pulsante blocco | Protection bouton d'arrêt | Blockierschalterschutz | Stop button protection |
| 34 | M20129 | | Rondella Ø23 x Ø29,5 x 2 | Rondelle Ø23 x Ø29,5 x 2 | Abstandsring Ø23 x Ø29,5 x 2 | Washer Ø23 x Ø29,5 x 2 |
| 35 | C30319 | | Tappo copritesta Ø25 | Bouchon Ø25 | Gummifuss Ø25 | Plug Ø25 |
| 36 | T20433 | | Pompa Danfoss BFP01 | Pompe Danfoss BFP01 | Pumpe Danfoss BFP01 | Pump Danfoss BFP01 |
| 37 | T20114 | | Bobina E.V. BFP01 Danfoss | Bobine E.V. BFP01 Danfoss | Spule BFP01 Danfoss | Solenoid spool BFP01 Danfoss |
| 38 | T20117 | | Corpo E.V. Danfoss | Electrovanne Danfoss | Magnetventil Danfoss | Solenoid valve Danfoss |
| 39 | I20104 | | Niplo FE 1/4" MM | Niplo FE 1/4" MM | Niplo FE 1/4" MM | Niplo FE 1/4" MM |
| 40 | E10698 | | Giunto Pl. mot.-pompa K1 | Accouplememt Pl. K1 | PlastikKuplung K1 | Coupling K1 |
| 41 | I20115 | | Niplo FE 1/8" MM | Niplo FE 1/8" MM | Niplo FE 1/8" MM | Niplo FE 1/8" MM |
| 42 | I40192 | | Microtubo | Microtube | Microschlauch | Micropipe |
| 43 | T20338 | | Ugello 0,40 GPH 80° S | Gicleur 0,40 GPH 80° S | Düse 0,40 GPH 80° S | Nozzle 0,40 GPH 80° S |
| 44 | I33001 | | Canotto portaugello | Support gicleur | Düsehalter | Nozzle support |
| 45 | P20527 | | Flangia supp. Bruciatore Ø 80mm | Bride Brûleur Ø 80mm | Brenner Flansch Ø 80mm | Burner flange Ø 80mm |
| 46 | I31034 | | Controdado OT. M14 | Ecrou M14 | Mutter M14 | Nut M14 |
| 47 | E10248 | | Elettrodo c/piastrina | Électrode | Elektrode | Electrode |
| 48 | E50327 | | Protezione fotoresistenza | Photoresistance protection | Photozellenschutz | Protection de la photoresistence |
| 49 | E50326 | | Fotoresistenza BERTELLI 17843 | Photoresis. BERTELLI 17843 | Fotozelle BERTELLI 17843 | Ld ph. Unit BERTELLI 17843 |
| 50 | P20184-9005 | | Maniglia/Piede | Poignée/Support | Handgriff/Stütze | Handle/Support |
| 51 | C30361 | | Tappo copritesta | Bouchon | Gummifuss | Plug |
| 52 | G06263-9005 | | Staffa per maniglia | Support pur poignée | Bügel auf der elektrische Achse | Handle for support |
| 53 | P20185-9005 | | Assale | Essieu | Achse | Wheel axle |
| 54 | C10529 | | Ruota Ø 150 - Ø 15 | Roue Ø 150 - Ø 15 | Rad Ø 150 - Ø 15 | Wheel Ø 150 - Ø 15 |
| 55 | G06264-9005 | | Staffa per assale ruote SX | Support pur essieu roues gauche | Bügel auf der elektrische Achse | Left wheels for axle support |
| 56 | G06265-9005 | | Staffa per assale ruote DX | Support pur essieu roues droite | Bügel auf der elektrische Achse | Right wheels for axle support |
| 57 | E30440 | | Cavo elettrico c/spina e morsettiera | Câble avec fiche et presse câble | Kabel mit steckdose und kabel Führung | El. wire with plug and cable fastener |
| 58 | E50102 | | Capsula termostatica Limit | Thermostat bilame Limit | Thermostat Limit | Limit Thermostat |
| 59 | G06072 | | Distanziale Ø8 x Ø6 x 9,5 | Epaisseur Ø8 x Ø6 x 9,5 | Abstandsstück Ø8 x Ø6 x 9,5 | Sleeve Ø8 x Ø6 x 9,5 |