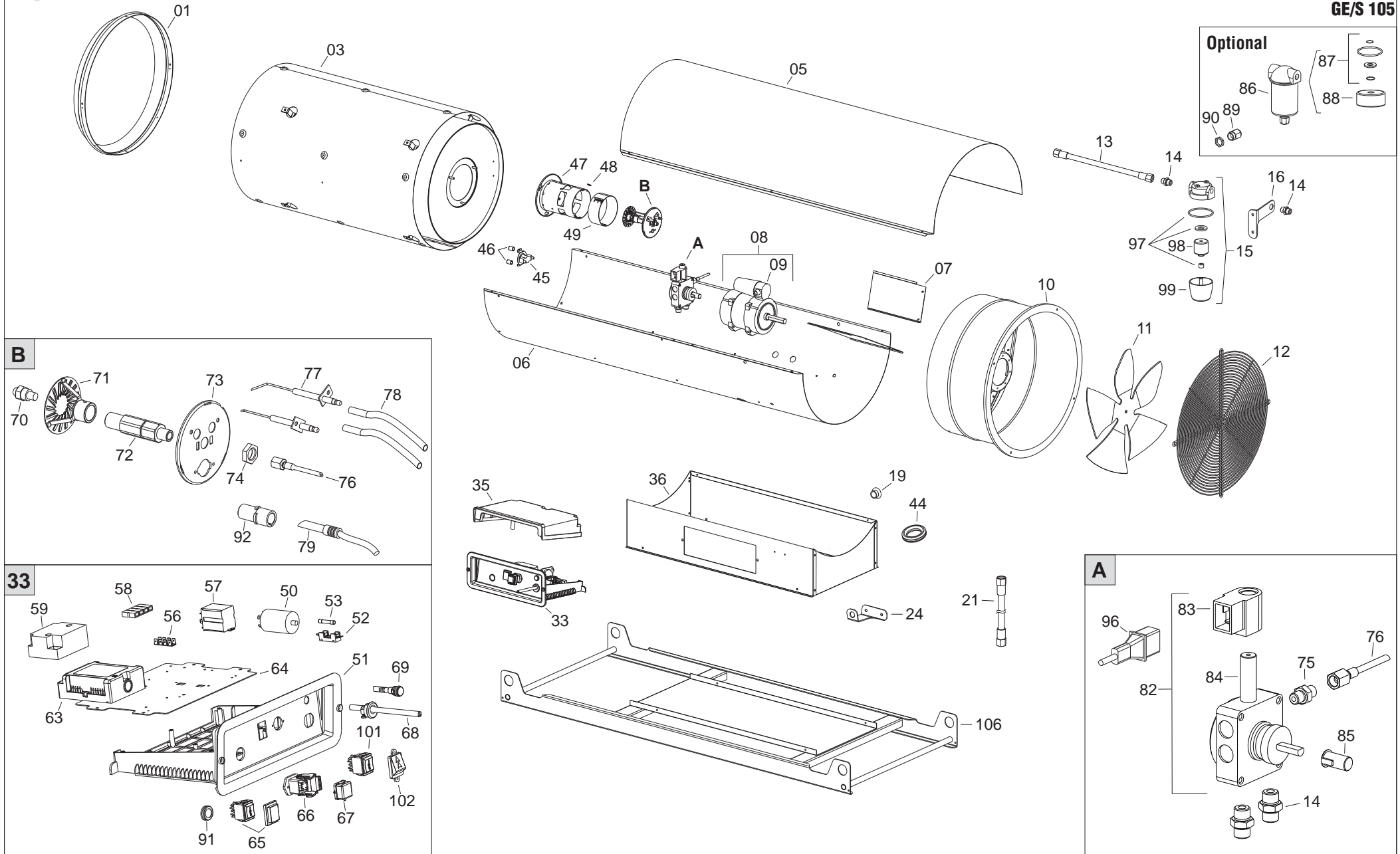




**GE**

**GE/S 105**



Da matr. N. - De matr. No. - Von Masch. Nr. - From number:			GE/S 105		27300751	
Pos.	Cod.	€	LEGENDA	LEGENDE	NOMENKLATUR	PART LIST
01	G06139-3001		Cono diffusore	Embout conique	Ausblaskonus	Outlet cone
03	G06231		Camera di combustione	Chambre de combustion	Brennkammer	Combustion chamber
05	G06234-3001		Scocca superiore	Carrosserie sup.	Haube	Upper body
06	G06237-3001		Scocca inferiore	Carrosserie Inf.	Karosserie Unterteil	Lower body
07	G06240		Convogliatore aria	Défecteur d'air	Luftblech	Air flap

## AACO

08	E10679		Motore 750W c/condens.	Moteur 750W avec condensateur	Motor 750W mit Kondensator	Motor 750W with condenser
09	E11232		Condensatore 20 µF	Condensateur 20 µF	Kondensator 20 µF	Condenser 20 µF

## SIMEL

08	E10694		Motore 750W c/condens.	Moteur 750W avec condensateur	Motor 750W mit Kondensator	Motor 750W with condenser
09	E11244		Condensatore 20 µF	Condensateur 20 µF	Kondensator 20 µF	Condenser 20 µF

10	G06239-3001		Supporto motore ventola	Bride support moteur	Motor Flansch	Motor flange
11	T10259		Ventola Ø 500 33°	Ventilateur Ø 500 33°	Ventila tor Ø 500 33°	Fan Ø 500 33°
12	P30129		Griglia aspirazione	Grille protection	Schutzgitter	Inlet grille
13	I40330		Tubo BP 1/4" FF L.420 mm	Tube BP 1/4" FF L.420mm	Röhr BP 1/4" FF L.420mm	Tube BP 1/4" FF L.420mm
14	I20104		Nipplo FE 1/4" MM	Nipplo FE 1/4" MM	Nipplo FE 1/4" MM	Nipplo FE 1/4" MM
15	T20201		Filtro gasolio compl.	Filtre avec cartouche	Filter komp.	Filter with cartridge
16	G06104-9005		Supporto filtro	Support	Stütze	Filter support
21	I40331		Tubo BP 1/4" F L.580 mm.	Tube BP 1/4" F L.580mm	Röhr BP 1/4" F L.580mm	Tube BP 1/4" F L.580mm
24	G06068-9005		Gancio cavo alimentazione	Crochet câble d'alimentation	Haken Netzkabel	Power lead hook
33	G00255		Quadro elettrico	Coffret électrique	Elektrokasten	El. componets drawer
34	M20110		Rondella Ø21 x Ø37 x 3 mm	Rondelle Ø21 x Ø37 x 3 mm	Abstandsring Ø21 x Ø37 x 3 mm	Washer Ø21 x Ø37 x 3 mm
35	P50127		Copertura quadro elettrico	Couverture coffret électrique	Abdeckung Schalttafel	Control box cover
36	G06152-3001		Basamento	Base	Kastenträger	Base
44	C30372		Passatubo gomma Ø 35	Prot. caoutchouc Ø 35	Kabeltülle Ø 35	Protection cable Ø 35
45	E50102		Capsula termostatica Limit	Thermostat bilame Limit	Thermostat Limit	Limit Thermostat
46	G06072		Distanziale Ø8 x Ø6 x 9,5	Epaisseur Ø8 x Ø6 x 9,5	Abstandsstück Ø8 x Ø6 x 9,5	Sleeve Ø8 x Ø6 x 9,5
47	G06249		Boccaglio	Gueulard	Brennröhr	Blast tube
48	E20671		Morsettiera terra	Barrette de connection	Klemmreiche	Terminal board
49	G06183		Anello regolazione aria	Volet réglage air	Brennluftklappe	Air regulatoin flap
50	E11157		Filtro antidisturbo DEM	Filtre atipararites DEM	Funk-enstorfilter DEM	Anti-jamming filter DEM
51	G06153		Supporto quadro elettrico	Support coffret électrique	Steuergeräthalerung	Electr. componets drawer
52	E20508		Porta fusibile	Porte fusible	Sicherungschalter	Fuse holder
53	E10308		Fusibile (6x30) 10A	Fusible (6x30) 10A	Sicherung (6x30) 10A	Fuse (6x30) 10A
56	E20319		Morsettiera terra	Barrette de connection	Klemmreiche	Terminal board
57	E11120		Relè Finder 65.31 AC	Relais Finder 65.31 AC	Relais Finder 65.31 AC	Relay Finder 65.31 AC
58	E20305		Morsettiera	Barrette de connection	Klemmreiche	Terminal board
59	E10920		Trasformatore A.T. TRK1 230V	Transformateur H.T. TRK1 230V	Zündtrafo H.T. TRK1 230V	Transformer H.T. TRK1 230V
63	E40126		Apparecchiatura BRAHMA TGRD 91 230V	Coffret BRAHMA TGRD 91 230V	Steuergerät BRAHMA TGRD 91 230V	Control box BRAHMA TGRD 91 230V
64	G06073		Piastra supporto elementi elettrici	Plaqu support	Tragplatte für elektrische Teile	Plate for electrical components
65	E10102-P		Interruttore bipolare 0 - 1	Interrupteur 0 - 1	Schalter 0 - 1	Switch 0 - 1
66	E20614		Connettore presa 3P+T	Fiche thermostat 3P+T	Thermostat stecker 3P+T	Thermostat plug 3P+T
67	E20665		Tappo	Bouchon	Pfropfen	Drain plug
68	E30446		Cavo elettrico c/spina e pressacavo	Câble avec fiche et presse câble	Kabel mit steckdose und kabelpresse	El. wire with plug and cable fastener
69	E11030		Lampada 230V	Lampe 230V	Kontrolllampe 230V	Lamp 230V
70	T20357		Ugello 2,00 GPH 80°W	Gicleur 2,00 GPH 80°W	Dü se 2,0 GPH 80°W	Nozzle 2,00 GPH 80°W
71	G01077		Deflettore centrato	Accroche flamme	Stauscheibe	Turbo disc
72	I33005		Cannotto portaugello	Support gicleur	Düsehalter	Nozzle support
73	G06228		Flangia supp. Bruciatore Ø 102mm	Bride Brûleur Ø 102mm	Brenner Flansch Ø 102mm	Burner flange Ø 102mm

Da matr. N. - De matr. No. - Von Masch. Nr. - From number: **GE/S 105** **27300751**

Pos.	Cod.	€	LEGENDA	LEGENDE	NOMENKLATUR	PART LIST
74	I31034		Controdado OT. M14	Ecrou M14	Mutter M14	Nut M14
75	I20115		Nipplo FE 1/8" MM	Nipplo FE 1/8" MM	Nipplo FE 1/8" MM	Nipplo FE 1/8" MM
76	I40192		Microtubo	Microtube	Microschlauch	Micropipe
77	E10215		Elettrodo c/piastrina	Électrode	Elektrode	Electrode
78	G02075		Cavo A.T. L.1000m COFI	Conn. câble 90° H.T. CO FI	H.S. Anschluß 90° COFI	H.T. Cable connect. 90° C OFI
79	E50328		Fotoresistenza FC13	Photoresis. FC13	Fotozelle FC13	Ld ph. Unit FC13
82	T20411		Pompa BFP11 R5 Danfoss	Pompe BFP11 R5 Danfoss	Pumpe BFP11 R5 Danfoss	Pump Danfoss BFP11 R5
83	T20118		Bobina E.V. Danfoss	Bobine E.V. Danfoss	Spule Danfoss	Solenoid spool Danfoss
84	T20117		Corpo E.V. Danfoss	Electrovanne Danfoss	Magnetventil Danfoss	Solenoid valve Danfoss

**AACO**

85	E10514		Giunto Pl. mot.-pompa K2	Accouplement Pl. K2	PlastikKuplung K2	Coupling K2
----	--------	--	--------------------------	---------------------	-------------------	-------------

**SIMEL**

85	E10698		Giunto Pl. mot.-pompa	Accouplement Pl.	PlastikKuplung	Coupling
----	--------	--	-----------------------	------------------	----------------	----------

86	02AC548		Filtro gasolio c/preriscaldamento 1/4"	Filtre pre-chauffage 1/4"	Heizölvorwärmfilter 1/4"	Oil pre-heaters filter 1/4"
87	T20241		Kit OR filtro gasolio	KIT OR filtre gasoil	Kit OR heizölfilter	OR KIToil filter
88	T20242		Cartuccia filtro	Cartouche filtre	Filterelement	Filter cartridge
89	E20953		Pressacavo PL. PG11	Embout fixe-cable PG11	Kabelhalter PG11	Cable holder PG11
90	E20954		Ghiera PL PG11	Embout PG11	Nutmutter PG11	Ring nut PG11
91	E20418		Protezione pulsante blocco	Protection bouton d'arrêt	Blockierschalterschutz	Stop button protection
92	E50327		Protezione fotoresistenza	Photoresistance protection	Photozellenschutz	Protection de la photoresistance
96	T20442		Cavo elettrovalvola	Cable electrovanne	Anschlußkabel für Magnetventil	Solenoid valve cable
97	T20234		Kit OR filtro gasolio	KIT OR filtre gasoil	Kit OR heizölfilter	OR KIToil filter
98	T20206		Cartuccia filtro	Cartouche filtre	Filterelement	Filter cartridge
99	T20212		Bicchiera filtro	Cuve filtre	Filtergehäuse	Filter housing
106	02AC560		Struttura pensile	Châssis à suspendre	Hängendes Gestell	Suspended frame