

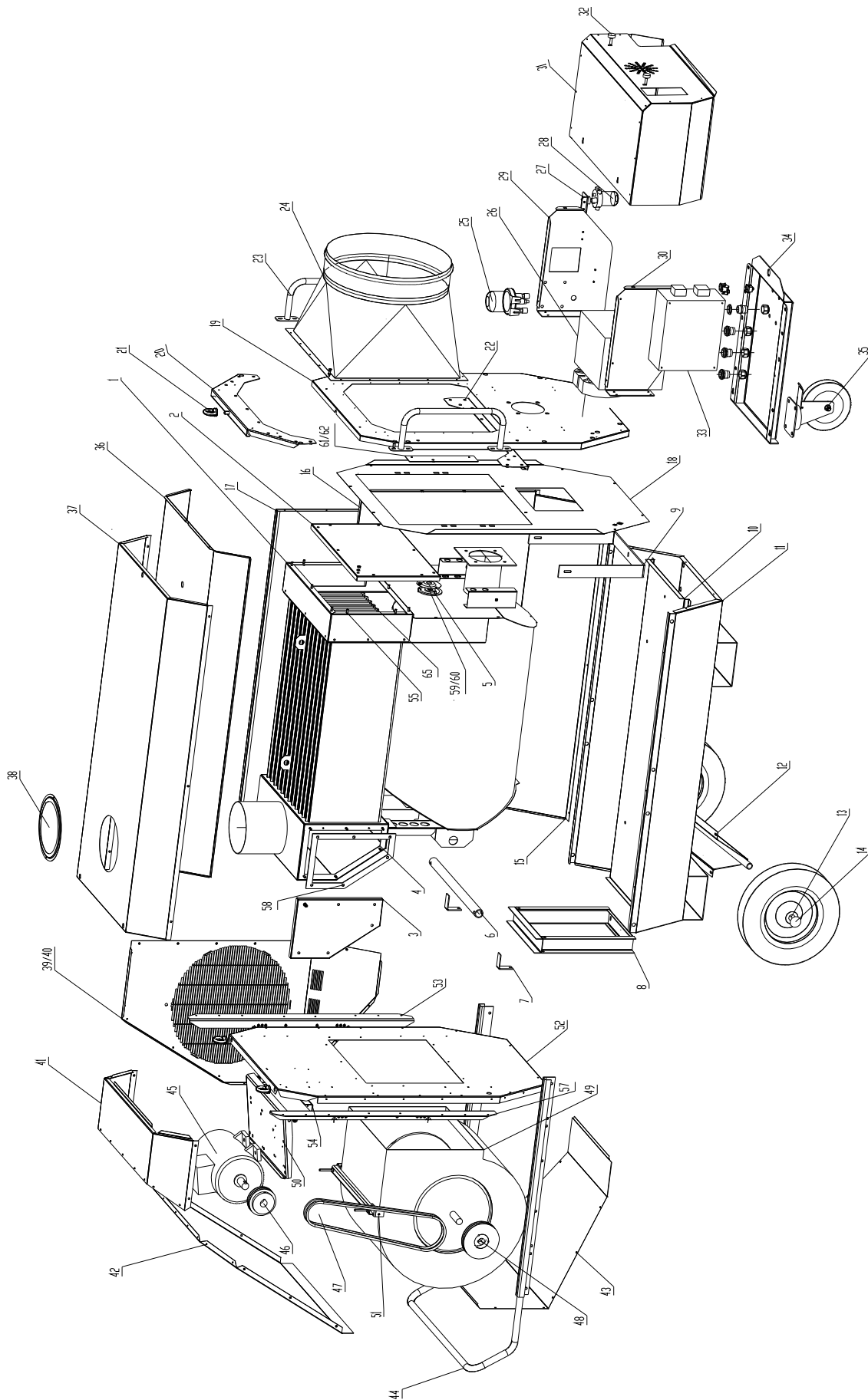
## Parts List IMA 61 111 150 185 RAD.

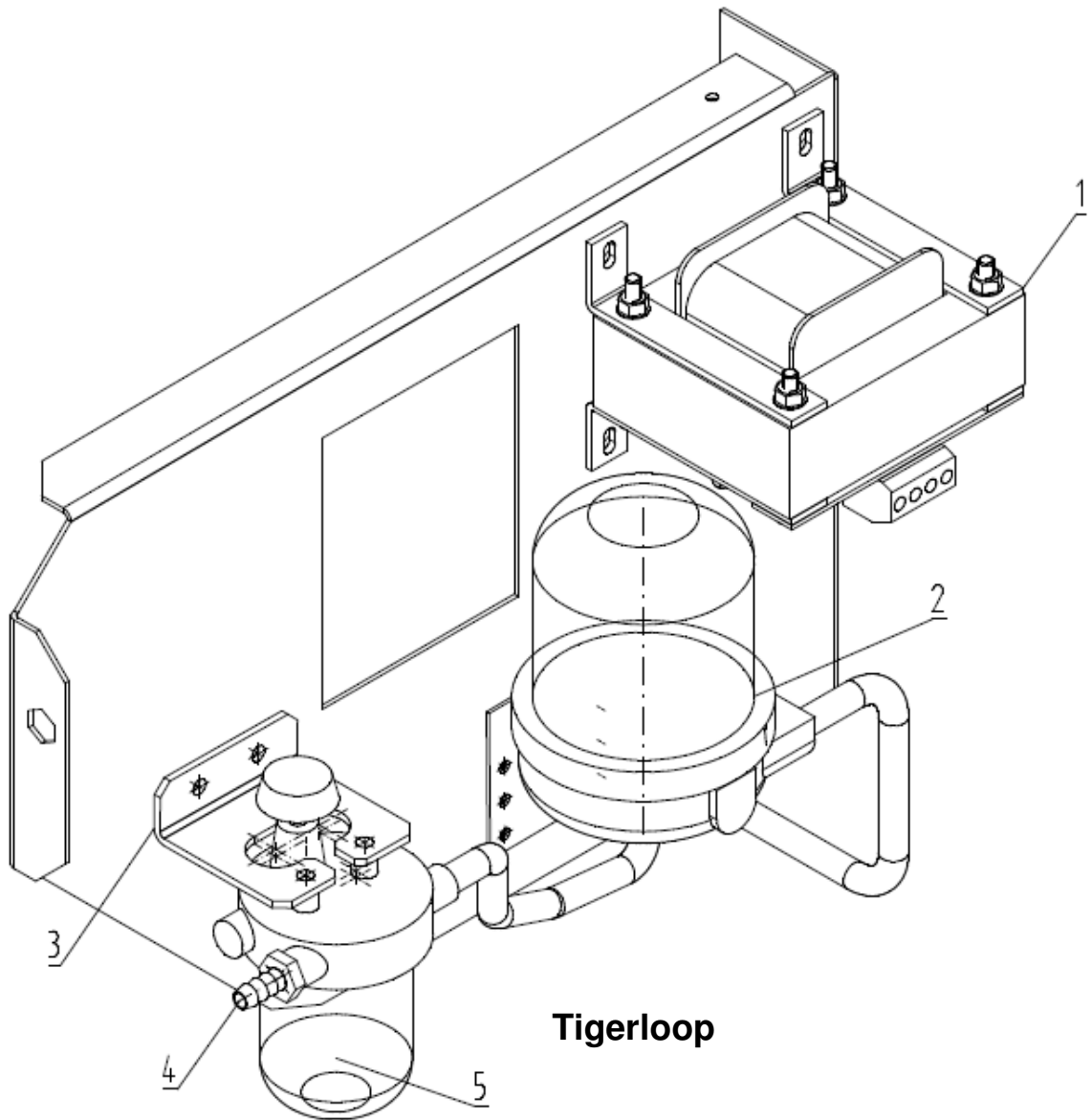
**Thermobile Industries BV** +31(0)76 587 34 50  
Fax +31 (0)76 587 27 89 [info@thermobile.nl](mailto:info@thermobile.nl) [www.thermobile.com](http://www.thermobile.com)

**Thermobile UK Ltd** +44 (0) 2476 35 79 60  
Fax +44(0) 2476 35 79 69 [info@thermobile.co.uk](mailto:info@thermobile.co.uk) [www.thermobile.co.uk](http://www.thermobile.co.uk)

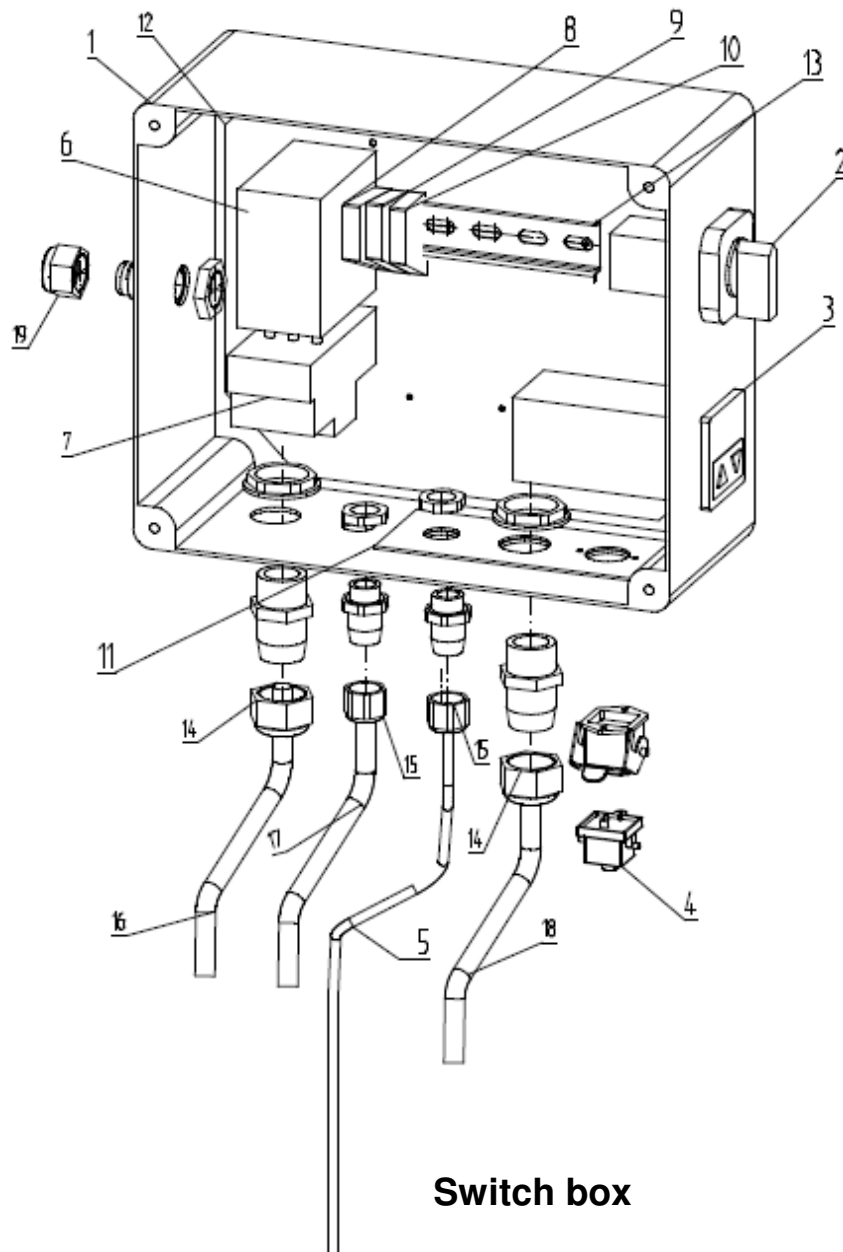
**Thermobile France S.a.r.l.** +33(0)2 38 76 59 25  
Fax +33(0)2 38 76 58 93 [info@thermobile.fr](mailto:info@thermobile.fr) [www.thermobile.fr](http://www.thermobile.fr)

# THERMOBILE®





**Tigerloop**



**Switch box**

# THERMOBILE®

| Pos | Beschrijving Nederlands    | Description English          | Description Francais            | Beschreibung Deutsch      |
|-----|----------------------------|------------------------------|---------------------------------|---------------------------|
| 1   | branderkamer+WW            | burnerchamber+heatexchanger  | chambre de com.+ échangeur      | Brennerkammer WärmeTau.   |
| 2   | deksel WW voor             | cover heat exchanger front   | couvercle échangeur inférieur   | Deckel vorne              |
| 3   | deksel WW zijkant          | cover heat exchanger back    | couvercle échangeur jonction    | Deckel seite              |
| 4   | pakking voor posnr.3       | gasket pos.number 3          | join no. 3                      | Abdichtung nu. 3          |
| 5   | kijkglashouder             | window frame                 | support fenêtre                 | Rahmen von Schauglass     |
| 6   | branderkamerophanging      | burnerchamber support        | chambre de combustion anneau    | Brennerkammer Stütze      |
| 7   | beugel                     | support                      | anneau                          | Bügel                     |
| 8   | steun branderkamer         | support burnerchamber        | anneau chambre de combustion    | Brennerkammer Stütze      |
| 9   | stelbeugel branderk.       | adjst. bracketburnerchamber  | support de réglage ch. de com.  | Stellbügel                |
| 10  | grondplaat                 | ground plate                 | tôle inférieure                 | Aufbaublech unten         |
| 11  | bodembak                   | bottom                       | fond                            | Bodenblech                |
| 12  | wielas                     | axle                         | axe                             | Achse                     |
| 13  | wiel                       | wheel                        | roue                            | Rad                       |
| 14  | starlock                   | starlock                     | capot                           | Radkappe                  |
| 15  | stralingsplaat L/R         | radiation plate l+r          | plaque radiante latéral g/d     | Stralungsblech L+R        |
| 16  | str.plaat zijpan. L+R      | radiation plate l+r          | plaque radiante latéral g/d     | Stralungsblech L+R        |
| 17  | zijpanelen L&R             | side panel l+r               | panneaux latéral g/d            | Seitenwand L+R            |
| 18  | stralingsplaat uitblaas    | radiation plate front        | plaque radiante sortie d'air    | Stralungsblech Vornseite  |
| 19  | uitblaaspaneel             | front panel                  | sortie d'air                    | Ausblaßblech              |
| 20  | verst.plaat boven          | lifting profile              | profile de renforcement en haut | Verstärkungsprofil oben   |
| 21  | oogmoer M12                | lifting lug                  | anneau de suspension            | Hebeöse                   |
| 22  | verst.plaat onder          | reinforcement profile        | profile de renforcement en bas  | Verstärkungsprofil unter  |
| 23  | duwbeugel                  | conveyor handle              | barre à pousser                 | Fahrbügel                 |
| 24  | uitblaasconus              | outlet panel                 | cone de soufflage               | Ausblaßconus              |
| 25  | tigerloop                  | tigerloop                    | tigerloop                       | Tigerloop                 |
| 26  | brander slw                | burner slw                   | brûleur slw                     | Brenner slw               |
| 27  | filterbeugel               | bracket oil filter           | support filtre                  | Montagestütze Ölfilter    |
| 28  | oliefilter                 | oil filter                   | filtre                          | Ölfilter                  |
| 29  | regenkap steun oliefilter  | bracket oil filter           | support protection filtre       | Stütze Ölfilter           |
| 30  | regenkap steun schakelkast | bracket switch box           | support protection boîtier      | Stütze schaltschrank      |
| 31  | regenkap zijpl. Links      | raincover plate left         | plaque de jonction gauche       | Regenschütz Platte Links  |
|     | regenkap zijpl.rechts      | raincover plate right        | plaque de jonction droite       | Regenschütz Platte Rechts |
|     | regenkap                   | rain cover                   | protection de pluie             | Regenschütz               |
| 32  | kartelbout                 | bolt                         | boulon                          | Bolzen                    |
| 33  | schakelkast gemont.        | switch box complete          | boîtier électrique complet      | Schaltkasten komplett     |
| 34  | olieopvangbak              | mounting plate swivel castor | plaque de fixation roues        | Schwenkradblech           |
| 35  | zwenkwiel                  | swivel castor                | roue roulette                   | Schwenkrad                |
| 36  | stralingsplaat deksel      | radiation plate cover        | plaque radiante supérieure      | Stralungsblech Deckel     |
| 37  | deksel                     | cover                        | couvercle                       | Deckel                    |
| 38  | schoorsteenring            | chimney ring                 | collier pour cheminée           | Schornsteinring           |
| 39  | beschermpak links          | fan protection grille left   | protection gauche               | Schutzhaube Links         |
| 40  | beschermpak rechts         | fan protection grille right  | protection droite               | Schutzhaube Rechts        |
| 41  | deksel deel 1              | cover part 1                 | couvercle partie 1              | Deckel Teil 1             |
| 42  | deksel deel 2              | cover part 2                 | couvercle partie 2              | Deckel teil 2             |
| 43  | afdekplaat                 | protection plate             | plaque de couvercle             | Schutzhaube               |
| 44  | stootbeugel                | bumper                       | bourellet                       | Stoßbügel                 |
| 45  | motor                      | motor                        | moteur                          | Motor                     |

| Pos | Beschrijving Nederlands   | Description English      | Description Francais      | Beschreibung Deutsch        |
|-----|---------------------------|--------------------------|---------------------------|-----------------------------|
| 46  | V-snaarschijf 2SPZ 100/28 | V-belt disc motor        | poulie moteur             | V-Riemen Scheibe Motor      |
| 47  | V-snaar XPZ               | V-belt                   | courroie                  | V-Riemen                    |
| 48  | V-snaarschijf 2SPZ140/25  | V-belt disc fan          | poulie ventilateur        | V-Riemen Scheibe Ventilator |
| 49  | ventilator AT -15/15      | radial fan               | ventilateur radial        | Radialventilator            |
| 50  | motorstoel                | motor mounting plate     | support moteur            | Motorblech                  |
| 51  | stelbeugel                | adjustment bracket motor | support de réglage moteur | Spannbügel                  |
| 52  | aanzuigpaneel             | back panel radial        | panneau radial            | Ansaugpanel                 |
| 53  | hoeklijn gel.links        | angle plate left         | piece d'angle gauche      | Winkelstütze Links          |
| 54  | hoeklijn kort             | angle plate small        | piece d'angle petit       | Winkelstütze kurz           |
| 55  | pakking voor posnr.2      | gasket pos.number 2      | join no. 2                | Abdichtung nu. 2            |
| 56  |                           |                          |                           |                             |
| 57  | hoeklijn gel.rechts       | angle plate right        | piece d'angle droite      | Winkelstütze Rechts         |
| 58  | pakking                   | gasket                   | join                      | Abdichtung                  |
| 59  | pakking 1kijkglas         | gasket 1                 | join no. 1                | Abdichtung 1                |
| 60  | pakking 2kijkglas         | gasket 1                 | join no. 2                | Abdichtung 2                |
| 61  |                           |                          |                           |                             |
| 62  |                           |                          |                           |                             |
| 63  |                           |                          |                           |                             |
| 64  |                           |                          |                           |                             |
| 65  | rookgasremmer             | smoke gas resistance     | résistance côté           | Leitblech Rauchgass         |
|     |                           |                          |                           |                             |

| POS. | Schakelkast         | Switch box                     | Boîtier                  | Schaltschrank               |
|------|---------------------|--------------------------------|--------------------------|-----------------------------|
| 1    | schakelkast geboord | switch box with holes          | boîtier électrique       | Schaltschrank montagebereid |
| 2    | schakelaar santon   | switch santon                  | interrupteur santon      | Schalter Santon             |
| 3    | temp. Regelaar      | temperature regulator          | température régulateur   | Temperatur Controller       |
| 4    | stekkerhuis         | thermostat connection          | prise thermostat         | Thermostatansluß            |
|      | stekkerinzet        | thermostat connection          | prise thermostat         | Thermostatansluß            |
|      | afdekkapje          | bridge circuit plug thermostat | fiche court circuit      | Brückenstecker              |
| 5    | temeratuur sensor   | temperature censor             | température capteur      | Temperatur Sensor           |
| 6    | magneetschakelaar   | magnetic switch                | interrupteur magnétique  | Magnetschalter              |
| 7    | thermisch relais    | thermal relay                  | protection thermique     | Thermische Schutz           |
| 8    | Relais omron        | Relay omron                    | Relais omron             | Schutz omron                |
| 9    | Relais houder       | Relay holder                   | Relais détenteur         | Schutz behalter             |
| 10   |                     |                                |                          |                             |
| 11   | versteviging plaat  | plate                          | collier de fixation      | Verstärkungsprofil          |
| 12   | montage plaat       | mounting plate                 | base du sessous de puvot | Montageplatte               |
| 13   | DIN rail            | rail                           | rail                     | Schiene                     |
| 14   | wartel M25x1,5      | cable gland M25                | Écrou                    | Kabelverschraubung          |
|      | wartelmoer M25x1,5  | screw cap                      | Écrou de raccord         | Mutter                      |
| 15   | wartel M16x1,5      | cable gland M16                | Écrou                    | Kabelverschraubung          |
|      | wartelmoer M16x1,5  | screw cap                      | Écrou de raccord         | Mutter                      |
| 16   | motorkabel          | motor cable                    | moteur câblé             | Motorkabel                  |
| 17   | branderkabel        | burner cable                   | cablé bruleur            | Brenner Kabel               |
| 18   |                     |                                |                          |                             |
| 19   | wartel M20x1,5      | cable gland M20                | Écrou                    | Kabelverschraubung          |
|      | wartelmoer M20x1,5  | screw cap                      | Écrou de raccord         | Mutter                      |

| POS. | Olie aanvoer      | Oil supply         |                   |                        |            |
|------|-------------------|--------------------|-------------------|------------------------|------------|
| 1a   | trafo(optie)      | Transformer        | transformateur    | Transformator          | 41.728.185 |
| 1b   | trafo set         | Transformer kit    |                   |                        | 41.728.190 |
| 2    | flowcontrol       | flowcontrol        | flowcontrol       | Flowcontrol            |            |
| 3    | beugel oliefilter | bracket oil filter | support filtre    | Montagestütze Ölfilter |            |
| 4    | slangpilaar 3/8'  | hose socket        | adapteur de tuyau | Schlauchansluß         |            |
| 5    | oliefilter        | oil filter         | filtre            | Ölfilter               |            |

# THERMOBILE®

| Pos. | IMA 61             | IMA 111HP             | IMA111.1f230V1,5KW    | IMA111HP3x230V        |
|------|--------------------|-----------------------|-----------------------|-----------------------|
| 1    | 41.722.325         | 41.724.755            | 41.724.755            | 41.724.755            |
| 2    | 41.722.307         | 41.724.659            | 41.724.659            | 41.724.659            |
| 3    | 41.722.282         | 41.729.948            | 41.729.948            | 41.729.948            |
| 4    | 41.722.309         | 41.726.125            | 41.726.125            | 41.726.125            |
| 5    | 41.729.914         | 41.729.914            | 41.729.914            | 41.729.914            |
| 6    | 41.722.288         | 41.724.521            | 41.724.521            | 41.724.521            |
| 7    | 41.722.292/01      | 41.728.292/01         | 41.728.292/01         | 41.728.292/01         |
| 8    | 41.728.292/01      | 41.724.543_7964       | 41.724.543_7964       | 41.724.543_7964       |
| 9    | 41.722.301_7964    | 41.726.027_7964/01    | 41.726.027_7964/01    | 41.726.027_7964/01    |
| 10   | 41.722.042_05      | 41.724.042/07         | 41.724.042/07         | 41.724.042/07         |
| 11   | 41.722.043_7964/05 | 41.724.668_7964       | 41.724.668_7964       | 41.724.668_7964       |
| 12   | 41.722.084_7964/05 | 41.724.080_7964/04    | 41.724.080_7964/04    | 41.724.080_7964/04    |
| 13   | 41.815.065         | 41.815.065            | 41.815.065            | 41.815.065            |
| 14   | 41.524.194         | 41.524.194            | 41.524.194            | 41.524.194            |
| 15   | 41.722.054         | 41.724.054/01         | 41.724.054/01         | 41.724.054/01         |
| 16   | 41.722.057/03      | 41.724.057/08         | 41.724.057/08         | 41.724.057/08         |
| 17   | 41.722.049_UV rood | 41.724.168_UV rood/03 | 41.724.168_UV rood/03 | 41.724.168_UV rood/03 |
| 18   | 41.722.133/01      | 41.724.403/04         | 41.724.403/04         | 41.724.403/04         |
| 19   | 41.722.132_7964    | 41.724.402_7964/03    | 41.724.402_7964/03    | 41.724.402_7964/03    |
| 20   | 41.722.280         | 41.724.280            | 41.724.280            | 41.724.280            |
| 21   | 40.501.909         | 40.501.909            | 40.501.909            | 40.501.909            |
| 22   | 41.722.089         | 41.724.089/01         | 41.724.089/01         | 41.724.089/01         |
| 23   | 41.722.071_7964    | 41.724.071_7964       | 41.724.071_7964       | 41.724.071_7964       |
| 24   | 41.722.223_7964    | 41.724.223_7964       | 41.724.223_7964       | 41.724.223_7964       |
| 25   | 41.522.127         | 41.522.127            | 41.522.127            | 41.522.127            |
| 26   | 41.522.050         | 41.524.130            | 41.524.130            | 41.524.130            |
| 27   | 99.084.130_7964/04 | 99.084.130_7964/04    | 99.084.130_7964/04    | 99.084.130_7964/04    |
| 28   | 41.520.027         | 41.520.027            | 41.520.027            | 41.520.027            |
| 29   | 41.722.135_7964    | 41.728.413_7964/05    | 41.728.413_7964/05    | 41.728.413_7964/05    |
| 30   | 41.722.134_7964    | 41.728.412_7964/03    | 41.728.412_7964/03    | 41.728.412_7964/03    |
| 31a  | 41.722.128_7964    | 41.724.422_7964       | 41.724.422_7964       | 41.724.422_7964       |
| 31b  | 41.722.129_7964    | 41.724.423_7964       | 41.724.423_7964       | 41.724.423_7964       |
| 31c  | 41.722.127_7964    | 41.724.411_7964/03    | 41.724.411_7964/03    | 41.724.411_7964/03    |
| 32   | 41.900.821         | 41.900.821            | 41.900.821            | 41.900.821            |
| 33   | 41.722.316         | 41.724.660            | 41.724.660            | 41.724.660            |
| 34   | 41.722.087_7964/03 | 41.724.087_7964/05    | 41.724.087_7964/05    | 41.724.087_7964/05    |
| 35   | 41.724.083         | 41.728.665            | 41.728.665            | 41.728.665            |
| 36   | 41.722.295         | 41.724.653/01         | 41.724.653/01         | 41.724.653/01         |
| 37   | 41.722.294_UV rood | 41.724.652_UV rood/02 | 41.724.652_UV rood/02 | 41.724.652_UV rood/02 |
| 38   | 99.084.017_7964/01 | 41.728.297_7964       | 41.728.297_7964       | 41.728.297_7964       |
| 39   | 41.722.246_7964    | 41.724.409_7964       | 41.724.409_7964       | 41.724.409_7964       |
| 39a  |                    | 41.724.283_7964       | 41.724.283_7964       | 41.724.283_7964       |
| 40   | 41.722.245_7964    | 41.724.410_7964       | 41.724.410_7964       | 41.724.410_7964       |
| 40a  |                    | 41.724.285_7964       | 41.724.285_7964       | 41.724.285_7964       |
| 41   | 41.722.196_7964/01 | 41.724.127_7964/03    | 41.724.127_7964/03    | 41.724.127_7964/03    |
| 42   | 41.722.197_7964/01 | 41.724.128_7964/02    | 41.724.128_7964/02    | 41.724.128_7964/02    |
| 43   | 41.722.198_7964/02 | 41.724.286_7964       | 41.724.286_7964       | 41.724.286_7964       |
| 44   | 41.722.160_7964/04 | 41.724.160_7964/03    | 41.724.160_7964/03    | 41.724.160_7964/03    |
| 45   | 41.529.207         | 41.724.190            | 41.528.219            | 41.724.190            |



| Pos. | IMA 61        | IMA 111HP       | IMA111R1f230V1,5KW | IMA111HP3x230V  |
|------|---------------|-----------------|--------------------|-----------------|
| 46   |               | 41.724.173      | 41.724.104         | 41.724.173      |
| 47   |               | 41.724.174      | 41.724.105         | 41.724.174      |
| 48   |               | 41.527.108      | 41.527.108         | 41.527.108      |
| 49   | 41.529.207    | 41.528.214      | 41.528.214         | 41.528.214      |
| 50   |               | 41.724.408_7964 | 41.724.408_7964    | 41.724.408_7964 |
| 51   |               | 41.528.208_7964 | 41.528.208_7964    | 41.528.208_7964 |
| 52   | 41.722.195/01 | 41.724.257/09   | 41.724.257/09      | 41.724.257/09   |
| 53   | 41.722.200    | 41.724.250      | 41.724.250         | 41.724.250      |
| 54   |               | 41.724.048      | 41.724.048         | 41.724.048      |
| 55   |               | 00.003.629      | 00.003.629         | 00.003.629      |
| 56   |               |                 |                    |                 |
| 57   | 41.722.194    | 41.724.251      | 41.724.251         | 41.724.251      |
| 58   | 41.726.125    | 41.726.125      | 41.726.125         | 41.726.125      |
| 59   | 41.726.129    | 41.726.129      | 41.726.129         | 41.726.129      |
| 60   | 41.726.130    | 41.726.130      | 41.726.130         | 41.726.130      |
| 60a  | 41.900.775    | 41.900.775      | 41.900.775         | 41.900.775      |
| 61   |               |                 |                    |                 |
| 62   |               |                 |                    |                 |
| 63   |               |                 |                    |                 |
| 64   |               |                 |                    |                 |
| 65   | 41.722.308/02 | 41.724.547/02   | 41.724.547/02      | 41.724.547/02   |

|                    | <b>SWITCH BOX</b> |                   |                        |                          |
|--------------------|-------------------|-------------------|------------------------|--------------------------|
| <b>Pos.</b>        | <b>IMA 61</b>     | <b>IMA 111 HP</b> | <b>IMA 111 HP 230V</b> | <b>IMA 111 HP 3X230v</b> |
| <b>1</b>           | 41.722.293/02     | 41.724.662/03     | 41.724.662/03          | 41.724.662/03            |
| <b>2</b>           | 41.728.424        | 41.728.424        | 41.728.424             | 41.728.424               |
| <b>3</b>           | 41.729.861        | 41.729.861        | 41.729.861             | 41.729.861               |
| <b>4</b>           | 40.202.092        | 40.202.092        | 40.202.092             | 40.202.092               |
|                    | 40.202.091        | 40.202.091        | 40.202.091             | 40.202.091               |
|                    | 40.226.030        | 40.226.030        | 40.226.030             | 40.226.030               |
| <b>Fuse 10A</b>    | 41.218.003        | 41.218.003        | 41.218.003             | 41.218.003               |
| <b>Huse holder</b> | 41.722.018        | 41.722.018        | 41.722.018             | 41.722.018               |
| <b>5</b>           | 41.729.852        | 41.729.852        | 41.729.852             | 41.729.852               |
| <b>6</b>           |                   | 41.729.149        | 41.729.149             | 41.729.149               |
| <b>7</b>           |                   | 41.724.261        | 40.729.148             | 41.724.261               |
| <b>8</b>           | 41.740.328        |                   |                        |                          |
| <b>9</b>           | 41.740.330        |                   |                        |                          |
| <b>10</b>          |                   |                   |                        |                          |
| <b>11</b>          | 41.724.511        | 41.724.511        | 41.724.511             | 41.724.511               |
| <b>12</b>          | 41.722.264/03     | 41.724.510        | 41.724.510             | 41.724.510               |
| <b>13</b>          | 41.722.314        | 41.724.512        | 41.724.512             | 41.724.512               |
| <b>14</b>          | 40.503.022        | 40.503.020        | 40.503.020             | 40.503.020               |
|                    | 40.503.023        | 40.503.025        | 40.503.025             | 40.503.025               |
| <b>15</b>          | 40.503.016        | 40.503.016        | 40.503.016             | 40.503.016               |
|                    | 40.503.021        | 40.503.021        | 40.503.021             | 40.503.021               |
| <b>16</b>          | 41.722.214        | 41.724.667        | 41.724.667             | 41.724.667               |
| <b>17</b>          | 41.722.665        | 41.722.662        | 41.722.662             | 41.722.662               |
| <b>18</b>          |                   |                   |                        |                          |
| <b>19</b>          | 40.503.022        | 40.503.022        | 40.503.022             | 40.503.022               |
|                    | 40.503.023        | 40.503.023        | 40.503.023             | 40.503.023               |

# THERMOBILE®

| Pos. | IMA 150 RHP        | IMA150R1f230V2,2KW | IMA150RHP3x230V    |
|------|--------------------|--------------------|--------------------|
| 1    | 41.726.755         | 41.726.755         | 41.726.755         |
| 2    | 41.726.021         | 41.726.021         | 41.726.021         |
| 3    | 41.729.948         | 41.729.948         | 41.729.948         |
| 4    | 41.726.125         | 41.726.125         | 41.726.125         |
| 5    | 41.729.914         | 41.729.914         | 41.729.914         |
| 6    | 41.726.106         | 41.726.106         | 41.726.106         |
| 7    | 41.728.292/01      | 41.728.292/01      | 41.728.292/01      |
| 8    | 41.726.028_7964    | 41.726.028_7964    | 41.726.028_7964    |
| 9    | 41.726.027_7964/01 | 41.726.027_7964/01 | 41.726.027_7964/01 |
| 10   | 41.726.084/01      | 41.726.084         | 41.726.084         |
| 11   | 41.726.097_7964    | 41.726.097_7964    | 41.726.097_7964    |
| 12   | 41.726.080_7964/02 | 41.726.080_7964/02 | 41.726.080_7964/02 |
| 13   | 41.815.065         | 41.815.065         | 41.815.065         |
| 14   | 41.524.194         | 41.524.194         | 41.524.194         |
| 15   | 41.726.086         | 41.726.086         | 41.726.086         |
| 16   | 41.726.088         | 41.726.088         | 41.726.088         |
| 17   | 41.726.087_UV rood | 41.726.087_UV rood | 41.726.087_UV rood |
| 18   | 41.726.107/01      | 41.726.107/01      | 41.726.107/01      |
| 19   | 41.726.091_7964/01 | 41.726.091_7964/01 | 41.726.091_7964/01 |
| 20   | 41.726.093/01      | 41.726.093/01      | 41.726.093/01      |
| 21   | 40.501.909         | 40.501.909         | 40.501.909         |
| 22   | 41.726.092         | 41.726.092         | 41.726.092         |
| 23   | 41.724.071_7964    | 41.724.071_7964    | 41.724.071_7964    |
| 24   | 41.726.100_7964    | 41.726.100_7964    | 41.726.100_7964    |
| 25   | 41.522.127         | 41.522.127         | 41.522.127         |
| 26   | 41.726.150         | 41.726.150         | 41.726.150         |
| 27   | 99.084.130_7964/04 | 99.084.130_7964/04 | 99.084.130_7964/04 |
| 28   | 41.520.027         | 41.520.027         | 41.520.027         |
| 29   | 41.728.413_7964/05 | 41.728.413_7964/05 | 41.728.413_7964/05 |
| 30   | 41.728.412_7964/03 | 41.728.412_7964/03 | 41.728.412_7964/03 |
| 31a  | 41.726.114_7964    | 41.726.114_7964    | 41.726.114_7964    |
| 31b  | 41.726.115_7964    | 41.726.115_7964    | 41.726.115_7964    |
| 31c  | 41.726.113_7964/01 | 41.726.113_7964/01 | 41.726.113_7964/01 |
| 32   | 41.900.821         | 41.900.821         | 41.900.821         |
| 33   | 41.724.660         | 41.724.660         | 41.724.660         |
| 34   | 41.726.079_7964/02 | 41.726.079_7964/02 | 41.726.079_7964/02 |
| 35   | 41.724.083         | 41.724.083         | 41.724.083         |
| 36   | 41.726.085         | 41.726.085         | 41.726.085         |
| 37   | 41.726.089_UV rood | 41.726.089_UV rood | 41.726.089_UV rood |
| 38   | 41.728.297_7964    | 41.728.297_7964    | 41.728.297_7964    |
| 39   | 41.726.109_7964/01 | 41.726.109_7964/01 | 41.726.109_7964/01 |
| 40   | 41.726.108_7964/01 | 41.726.108_7964/01 | 41.726.108_7964/01 |
| 41   | 41.726.102_7964    | 41.726.102_7964    | 41.726.102_7964    |
| 42   | 41.726.103_7964    | 41.726.103_7964    | 41.726.103_7964    |
| 43   | 41.726.104_7964/01 | 41.726.104_7964/01 | 41.726.104_7964/01 |
| 44   | 41.726.112_7964    | 41.726.112_7964    | 41.726.112_7964    |
| 45   | 41.728.156         | 41.728.662         | 41.728.156         |

# THERMOBILE®

| <b>Pos.</b> | <b>IMA 150 R HP</b> | <b>IMA150R1f230V2,2KW</b> | <b>IMA150RHP3x230V</b> |
|-------------|---------------------|---------------------------|------------------------|
| <b>46</b>   | 41.724.173          | 41.728.663                | 41.724.173             |
| <b>47</b>   | 41.726.127          | 41.726.132                | 41.726.127             |
| <b>48</b>   | 41.527.108          | 41.527.108                | 41.527.108             |
| <b>49</b>   | 41.528.214          | 41.528.214                | 41.528.214             |
| <b>50</b>   | 41.724.408_7964     | 41.724.408_7964           | 41.724.408_7964        |
| <b>51</b>   | 41.528.208_7964     | 41.528.208_7964           | 41.528.208_7964        |
| <b>52</b>   | 41.726.095          | 41.726.095                | 41.726.095             |
| <b>53</b>   | 41.724.250          | 41.724.250                | 41.724.250             |
| <b>54</b>   | 41.724.048          | 41.724.048                | 41.724.048             |
| <b>55</b>   | 00.003.629          | 00.003.629                | 00.003.629             |
| <b>56</b>   |                     |                           |                        |
| <b>57</b>   | 41.724.251          | 41.724.251                | 41.724.251             |
| <b>58</b>   | 41.726.125          | 41.726.125                | 41.726.125             |
| <b>59</b>   | 41.726.129          | 41.726.129                | 41.726.129             |
| <b>60</b>   | 41.726.130          | 41.726.130                | 41.726.130             |
| <b>60a</b>  | 41.900.775          | 41.900.775                | 41.900.775             |
| <b>61</b>   |                     |                           |                        |
| <b>62</b>   |                     |                           |                        |
| <b>63</b>   |                     |                           |                        |
| <b>64</b>   |                     |                           |                        |
| <b>65</b>   | 41.726.037/02       | 41.726.037/02             | 41.726.037/02          |
| <b>66</b>   | 41.415.060          | 41.415.060                | 41.415.060             |

| Pos.Nr.                | IMA 150 RHP<br>Switch box | IMA 150R 230V2,2KW<br>Switch box | IMA 150RHP3x230V<br>Switch box |
|------------------------|---------------------------|----------------------------------|--------------------------------|
| 1                      | 41.724.662/01             | 41.724.662/01                    | 41.724.662/01                  |
| 2                      | 41.728.424                | 41.728.424                       | 41.728.424                     |
| 3                      | 41.729.861                | 41.729.861                       | 41.729.861                     |
| 4                      | 40.202.092                | 40.202.092                       | 40.202.092                     |
|                        | 40.202.091                | 40.202.091                       | 40.202.091                     |
|                        | 40.226.030                | 40.226.030                       | 40.226.030                     |
| <b>Fuse<br/>10A</b>    | 41.218.003                | 41.218.003                       | 41.218.003                     |
| <b>Huse<br/>holder</b> | 41.722.018                | 41.722.018                       | 41.722.018                     |
| 6                      | 41.729.149                | 41.724.263                       | 41.729.149                     |
| 7                      | 41.729.148                | 41.728.268                       | 41.728.268                     |
| 8                      |                           |                                  |                                |
| 9                      |                           |                                  |                                |
| 10                     |                           |                                  |                                |
| 11                     | 41.724.511                | 41.724.511                       | 41.724.511                     |
| 12                     | 41.724.510                | 41.724.510                       | 41.724.510                     |
| 13                     | 41.724.512                | 41.724.512                       | 41.724.512                     |
| 14                     | 40.503.020                | 40.503.020                       | 40.503.020                     |
|                        | 40.503.025                | 40.503.025                       | 40.503.025                     |
| 15                     | 40.503.016                | 40.503.016                       | 40.503.016                     |
|                        | 40.503.021                | 40.503.021                       | 40.503.021                     |
| 16                     | 41.726.119/01             | 41.726.119/01                    | 41.726.119/01                  |
| 17                     | 41.722.662                | 41.722.662                       | 41.722.662                     |
| 18                     |                           |                                  |                                |
| 19                     | 40.503.022                | 40.503.022                       | 40.503.022                     |
|                        | 40.503.023                | 40.503.023                       | 40.503.023                     |

# THERMOBILE®

| Pos.Nr. | IMA 185 RHP           | IMA 185R 230V 2,2KW   | IMA 185HP3x230V       |
|---------|-----------------------|-----------------------|-----------------------|
| 1       | 41.728.755            | 41.728.755            | 41.728.755            |
| 2       | 41.729.970            | 41.729.970            | 41.729.970            |
| 3       | 41.729.948            | 41.729.948            | 41.729.948            |
| 4       | 41.726.125            | 41.726.125            | 41.726.125            |
| 5       | 41.729.914            | 41.729.914            | 41.729.914            |
| 6       | 41.729.916            | 41.729.916            | 41.729.916            |
| 7       | 41.728.292/01         | 41.728.292/01         | 41.728.292/01         |
| 8       | 41.728.293_7964       | 41.728.293_7964       | 41.728.293_7964       |
| 9       | 41.726.027_7964/01    | 41.726.027_7964/01    | 41.726.027_7964/01    |
| 10      | 41.728.042/10         | 41.728.042/10         | 41.728.042/10         |
| 11      | 41.728.143_7964       | 41.728.143_7964       | 41.728.143_7964       |
| 12      | 41.728.084_7964/04    | 41.728.084_7964/04    | 41.728.084_7964/04    |
| 13      | 41.815.065            | 41.815.065            | 41.815.065            |
| 14      | 41.524.194            | 41.524.194            | 41.524.194            |
| 15      | 41.728.054/02         | 41.728.054/02         | 41.728.054/02         |
| 16      | 41.728.057/07         | 41.728.057/07         | 41.728.057/07         |
| 17      | 41.728.168_UV rood    | 41.728.168_UV rood    | 41.728.168_UV rood    |
| 18      | 41.728.403/02         | 41.728.403/02         | 41.728.403/02         |
| 19      | 41.728.402_7964/03    | 41.728.402_7964/03    | 41.728.402_7964/03    |
| 20      | 41.728.280            | 41.728.280            | 41.728.280            |
| 21      | 40.501.909            | 40.501.909            | 40.501.909            |
| 22      | 41.728.089            | 41.728.089            | 41.728.089            |
| 23      | 41.724.071_7964       | 41.724.071_7964       | 41.724.071_7964       |
| 24      | 41.728.223_7964/01    | 41.728.223_7964/01    | 41.728.223_7964/01    |
| 25      | 41.522.127            | 41.522.127            | 41.522.127            |
| 26      | 41.728.100            | 41.728.100            | 41.728.100            |
| 27      | 99.084.130_7964/04    | 99.084.130_7964/04    | 99.084.130_7964/04    |
| 28      | 41.520.027            | 41.520.027            | 41.520.027            |
| 29      | 41.728.413_7964/05    | 41.728.413_7964/05    | 41.728.413_7964/05    |
| 30      | 41.728.412_7964/03    | 41.728.412_7964/03    | 41.728.412_7964/03    |
| 31a     | 41.728.430_7964/01    | 41.728.430_7964/01    | 41.728.430_7964/01    |
| 31b     | 41.728.431_7964/01    | 41.728.431_7964/01    | 41.728.431_7964/01    |
| 31c     | 41.728.411_7964/03    | 41.728.411_7964/03    | 41.728.411_7964/03    |
| 32      | 41.900.821            | 41.900.821            | 41.900.821            |
| 33      | 41.724.660            | 41.724.660            | 41.724.660            |
| 34      | 41.728.087_7964/03    | 41.728.087_7964/03    | 41.728.087_7964/03    |
| 35      | 41.728.665            | 41.728.665            | 41.728.665            |
| 36      | 41.728.405            | 41.728.405            | 41.728.405            |
| 37      | 41.728.404_UV rood/01 | 41.728.404_UV rood/01 | 41.728.404_UV rood/01 |
| 38      | 41.728.297_7964       | 41.728.297_7964       | 41.728.297_7964       |
| 39      | 41.728.409_7964       | 41.728.409_7964       | 41.728.409_7964       |
| 40      | 41.728.410_7964       | 41.728.410_7964       | 41.728.410_7964       |
| 41      | 41.728.127_7964/04    | 41.728.127_7964/04    | 41.728.127_7964/04    |
| 42      | 41.728.128_7964/02    | 41.728.128_7964/02    | 41.728.128_7964/02    |
| 43      | 41.728.278_7964       | 41.728.278_7964       | 41.728.278_7964       |
| 44      | 41.728.160_7964/03    | 41.728.160_7964/03    | 41.728.160_7964/03    |
| 45      | 41.728.156            | 41.728.662            | 41.728.156            |

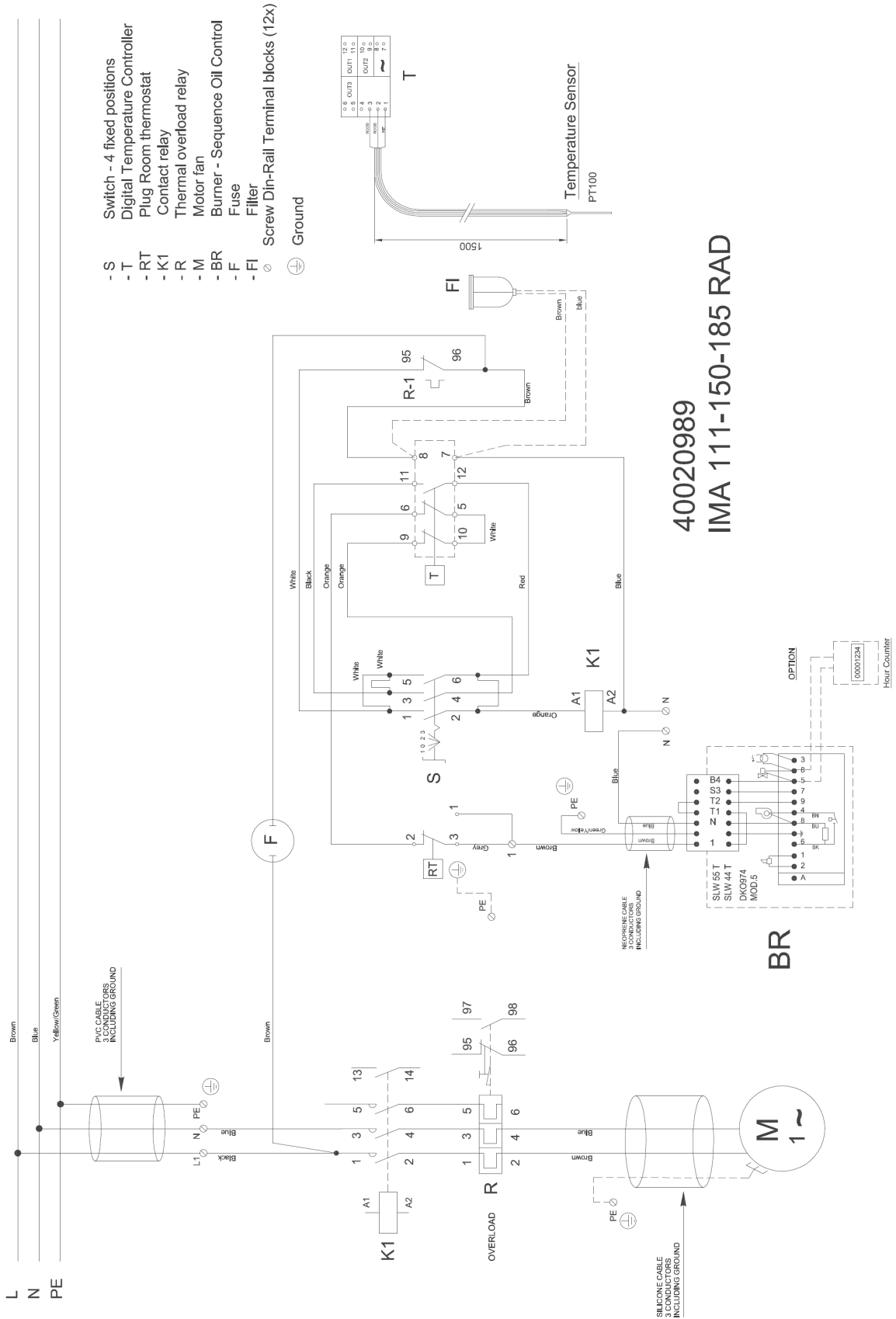
# THERMOBILE®

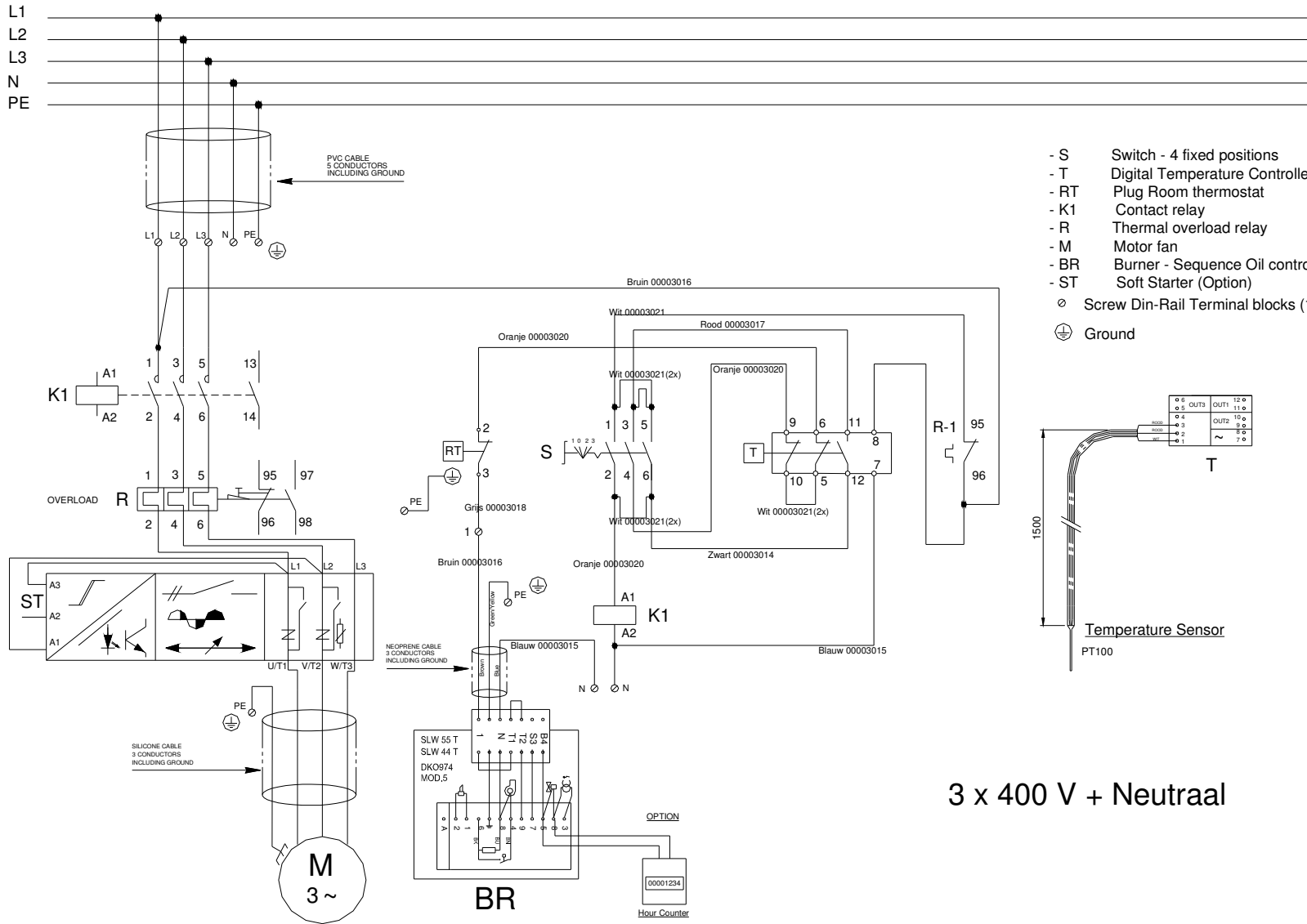
| Pos.Nr. | IMA 185 RHP        | IMA 185R230V 2,2KW | IMA 185RHP3x230V   |
|---------|--------------------|--------------------|--------------------|
| 46      | 41.728.104         | 41.728.663         | 41.728.104         |
| 47      | 41.728.159         | 41.728.664         | 41.728.159         |
| 48      | 41.728.158         | 41.728.158         | 41.728.158         |
| 49      | 41.728.103         | 41.728.103         | 41.728.103         |
| 50      | 41.728.408_7964/01 | 41.728.408_7964/01 | 41.728.408_7964/01 |
| 51      | 41.728.092_7964    | 41.728.092_7964    | 41.728.092_7964    |
| 52      | 41.728.266/10      | 41.728.266/10      | 41.728.266/10      |
| 53      | 41.728.256         | 41.728.256         | 41.728.256         |
| 54      | 41.728.048/01      | 41.728.048/01      | 41.728.048/01      |
| 55      | 00.003.629         | 00.003.629         | 00.003.629         |
| 56      |                    |                    |                    |
| 57      | 41.728.257         | 41.728.257         | 41.728.257         |
| 58      | 41.726.125         | 41.726.125         | 41.726.125         |
| 59      | 41.726.129         | 41.726.129         | 41.726.129         |
| 60      | 41.726.130         | 41.726.130         | 41.726.130         |
| 60a     | 41.900.775         | 41.900.775         | 41.900.775         |
| 61      |                    |                    |                    |
| 62      |                    |                    |                    |
| 63      |                    |                    |                    |
| 64      |                    |                    |                    |
| 65      | 41.729.938/03      | 41.729.938/03      | 41.729.938/03      |
| 66      | 41.415.060         | 41.415.060         | 41.415.060         |
|         |                    |                    |                    |

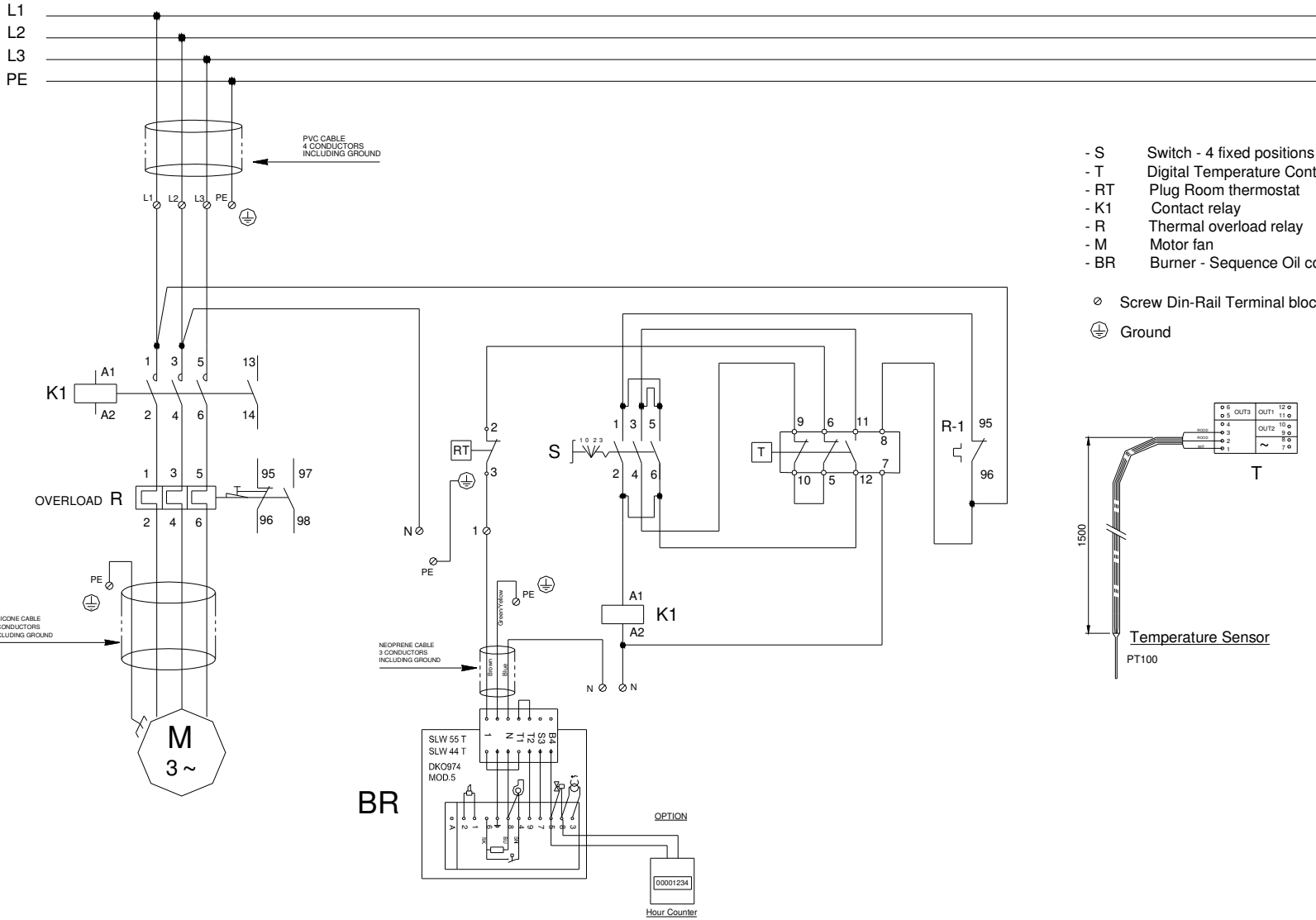
## Switch box

| Pos.Nr.                | IMA 185 RHP   | IMA185R 230V 2,2KW | IMA185RHP3x230V |
|------------------------|---------------|--------------------|-----------------|
| 1                      | 41.724.662/01 | 41.724.662/01      | 41.724.662/01   |
| 2                      | 41.728.424    | 41.728.424         | 41.728.424      |
| 3                      | 41.729.861    | 41.729.861         | 41.729.861      |
| 4                      | 40.202.092    | 40.202.092         | 40.202.092      |
|                        | 40.202.091    | 40.202.091         | 40.202.091      |
|                        | 40.226.030    | 40.226.030         | 40.226.030      |
| <b>Fuse<br/>10A</b>    | 41.218.003    | 41.218.003         | 41.218.003      |
| <b>Huse<br/>holder</b> | 41.722.018    | 41.722.018         | 41.722.018      |
| 6                      | 41.729.149    | 41.724.263         | 41.729.149      |
| 7                      | 41.729.148    | 41.728.268         | 41.728.268      |
| 8                      |               |                    |                 |
| 9                      |               |                    |                 |
| 10                     |               |                    |                 |
| 11                     | 41.724.511    | 41.724.511         | 41.724.511      |
| 12                     | 41.724.510    | 41.724.510         | 41.724.510      |
| 13                     | 41.724.512    | 41.724.512         | 41.724.512      |
| 14                     | 40.503.020    | 40.503.020         | 40.503.020      |
|                        | 40.503.025    | 40.503.025         | 40.503.025      |
| 15                     | 40.503.016    | 40.503.016         | 40.503.016      |
|                        | 40.503.021    | 40.503.021         | 40.503.021      |
| 16                     | 41.726.119/01 | 41.726.119/01      | 41.726.119/01   |
| 17                     | 41.722.662    | 41.722.662         | 41.722.662      |
| 18                     |               |                    |                 |
| 19                     | 40.503.022    | 40.503.022         | 40.503.022      |
|                        | 40.503.023    | 40.503.023         | 40.503.023      |





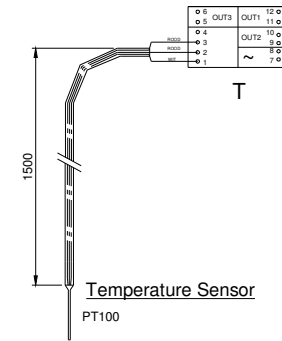


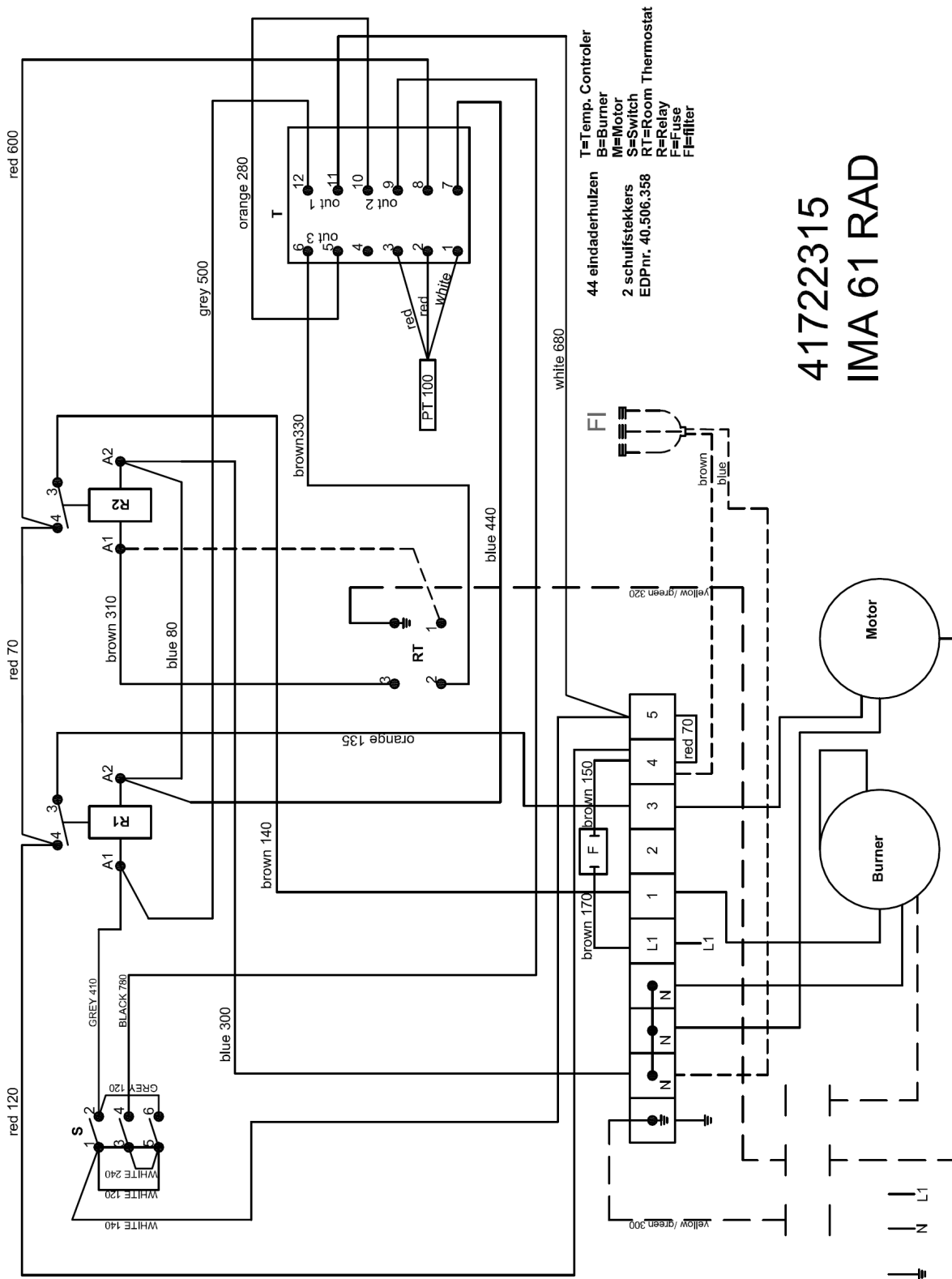


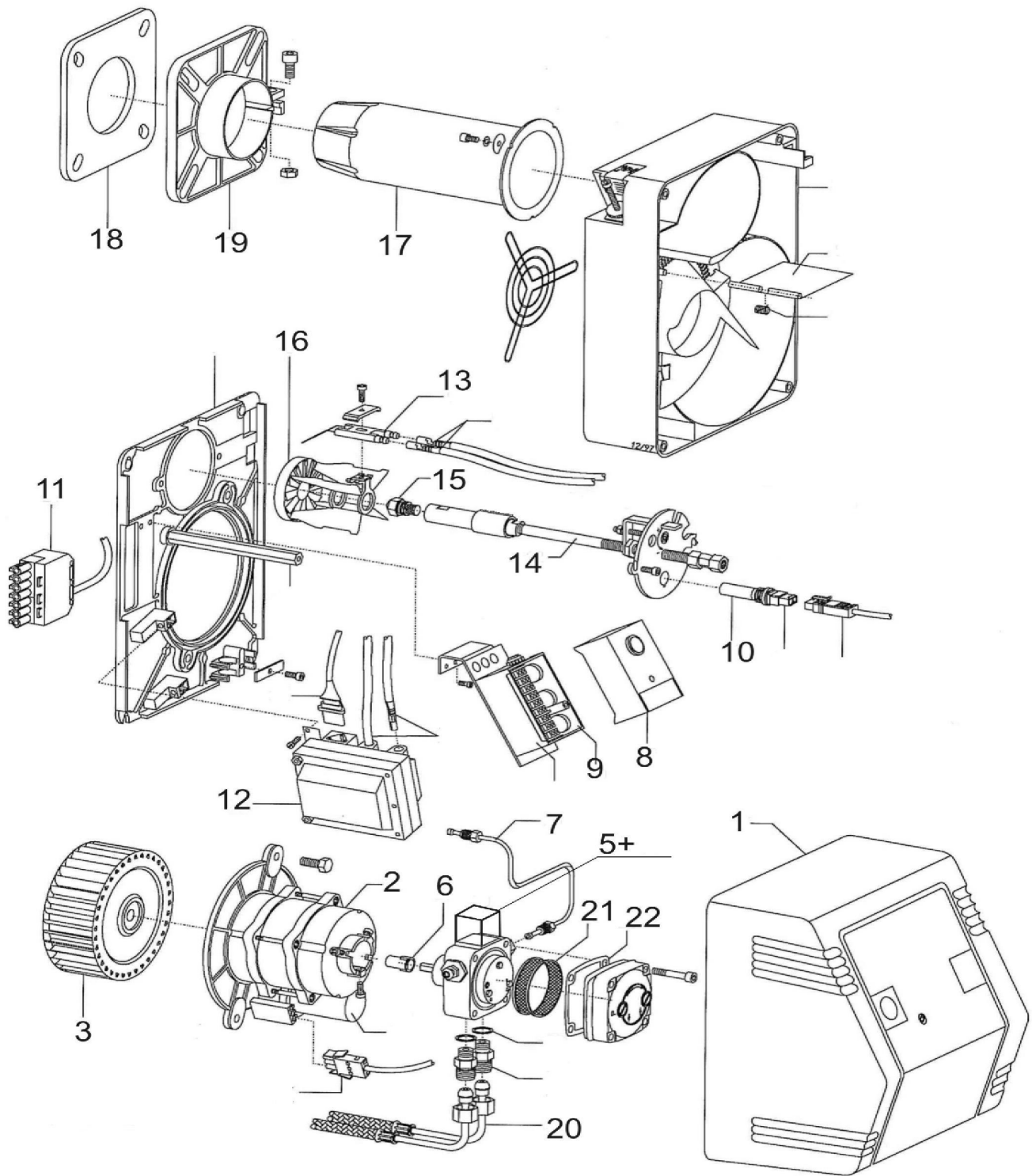
- S Switch - 4 fixed positions
- T Digital Temperature Controller
- RT Plug Room thermostat
- K1 Contact relay
- R Thermal overload relay
- M Motor fan
- BR Burner - Sequence Oil control

⊙ Screw Din-Rail Terminal blocks (12x)

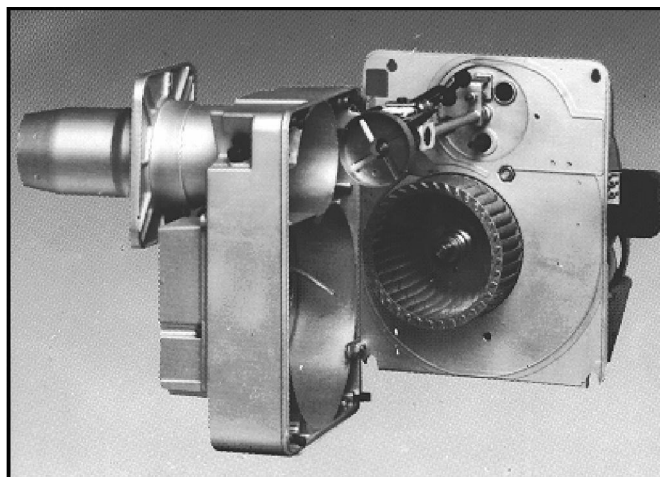
⊕ Ground







SLV 22/44/55 Brander/Burner/Bruleur/Brenner



**SLV 22/44/55 Brander/Burner/Bruleur/Brenner**

|     |                         |                      |                             |                   | SLW 22                     | SLW 44   | SLW 55                    |
|-----|-------------------------|----------------------|-----------------------------|-------------------|----------------------------|--|---------------------------|
| 1   | Branderkap              | Burner cover         | Capot du brûleur            | Brennerschutzhaue | 41.520.067                 | 41.524.131                                       | 41.524.131                |
| 2   | Brandermotor            | Burner motor         | Moteur du brûleur           | Brennermotor      | 41.520.068                 | 41.524.132                                       | 41.524.132                |
| 3   | Ventilator              | Fan                  | Ventilateur                 | Lüfterrad         | 41.520.069                 | 41.524.133                                       | 41.524.133                |
| 4   | Brandstofpomp           | Fuelpump             | Pompe à fuel                | Pumpe             | 41.520.070/01              | 41.520.070/01                                    | 41.520.070/01             |
| 5   | Magneetventiel          | Magnetic valve       | Vanne électromagnétique     | Magnetventil      | 41.000.388                 | 41.000.388                                       | 41.000.388                |
| 6   | Pompkoppeling           | Pump coupling        | Accouplement de la pompe    | Pumpenkupplung    | 40.223.041                 | 40.223.041                                       | 40.223.041                |
| 7   | Drukleiding             | Pressure pipe        | Tubepompe                   | Druckleitung      | 41.520.071                 | 41.524.137                                       | 41.524.137                |
| 8   | Branderautomaat         | Burner relay         | Relais du brûleur           | Steuerrelais      | 41.524.112                 | 41.524.112                                       | 41.524.112                |
| 9   | Konsole branderautomaat | Support burner relay | Console relais du brûleur   | Relaissockel      | 41.524.113                 | 41.524.113                                       | 41.524.113                |
| 10  | Fotocel MZ 770          | Photocell MZ 770     | Cellule photoelectr. MZ 770 | Fotozelle MZ 770  | 41.000.376 +<br>41.000.379 | 41.000.376+<br>41.000.379                        | 41.000.376+<br>41.000.379 |
| 11  | Kontrastekker           | Coupling socket      | Fiche de raccordement       | Stecker           | 41.520.045                 | 41.520.045                                       | 41.520.045                |
| 12  | Ontstekingsrafo         | Ignition transformer | Transformateur d'allumage   | Zündtrafo         | 41.524.139                 | 41.524.139                                       | 41.524.139                |
| 13  | Ontstekings-elektrode   | Ignition electrode   | Électrode d'allumage        | Zünderlektrode    | 41.524.140                 | 41.524.240                                       | 41.524.240                |
| 14  | Verstuihverhouder       | Nozzle holder        | Support de gicleur          | Düsenstock        | 41.527.207                 | 41.728.119                                       | 41.728.119                |
| 15  | Verstuiver              | Nozzle               | Gicleur                     | Öldüse            | 40.504.709                 | 41.524.042/im<br>a-111<br>40.238.021/im<br>a-150 | 41.728.101                |
| 16  | Stuwplaat               | Swivel disc          | Volet de gicleur            | Turbolator        | 41.522.051                 | 41.524.143                                       | 41.524.143                |
| 17  | Branderpijp             | Burner pipe          | Guelard                     | Flammrohr         | 41.520.074                 | 41.524.144                                       | 41.524.144                |
| 18  | Flenspakking            | Flange packing       | Joint de bride              | Klingerit Flansch | 41.520.075                 | 41.524.145                                       | 41.524.145                |
| 19  | Branderflens            | Burner flange        | Bride du brûleur            | Brennerflansch    | 41.520.076                 | 41.524.146                                       | 41.524.146                |
| 20a | Brandstofslang          | Fuel pump hose       | Tuyau de fuel               | Ölleitung red     | 41.728.315                 | 41.728.315                                       | 41.728.315                |
| 20b | Brandstofslang          | Fuel pump hose       | Tuyau de fuel               | Ölleitung green   | 41.728.316                 | 41.728.316                                       | 41.728.316                |
| 21  | Oliepompfilter          | Fuel pump filter     | Filtre de pompe à fuel      | Pumpenfilter      | 41.000.387                 | 41.000.387                                       | 41.000.387                |
| 22  | Pomppakking             | Pumpgasket           |                             |                   | 40.202.121                 | 40.202.121                                       | 40.202.121                |
| -*  | Urenteller              | Hour counter         | Compteur horaire            | Stundenzähler     | 41.729.107                 | 41.729.107                                       | 41.729.107                |
| -*  | Beugel urenteller       | Counter bracket      | Anneau de compteur          | Zählerbügel       | 41.728.208                 | 41.728.208                                       | 41.728.208                |
| -*  | Kabel urenteller        | Counter cable        | Câble de compteur           | Zählerkabel       | 41.728.209                 | 41.728.209                                       | 41.728.209                |

**EG-VERKLARING VAN OVEREENSTEMMING**

THERMOBILE INDUSTRIES B.V.  
Gevestigd aan de Konijnenberg 80 , 4825 BD BREDA,  
Verklaren geheel onder eigen verantwoordelijkheid dat het producten,

**OLIE GESTOOKTE LUCHTVERHITTER  
IMA-61/IMA-111/IMA-150/IMA-185**

Voldoen aan de volgende EG – richtlijnen.  
Machine-richtlijnen: 2006/42/EG  
Laagspanningsrichtlijn: 2006/95/EG  
EMC-richtlijn: 2004/108/EG


Nederland, Breda, 23-3-2011      Maurice de Vlieger  
Sales & Marketing Director      

**EG-KONFORMITÄTSERKLÄRUNG**

THERMOBILE INDUSTRIES B.V.  
Konijnenberg 80 , 4825 BD BREDA,  
Erklären hiermit eigenverantwortlich , daß die Produkte,

**HEIZÖL GEHEIZTE LUFTERHITZER  
IMA-61/IMA-111/IMA-150/IMA-185**

Wo auf sich diese Erklärung bezieht, hergestellt ist gemäß der Bestimmungen der Richtlinien für:  
Machinen-Richtlinien: 2006/42/EG  
Niederspannungsrichtlinie: 2006/95/EG  
EMV-Richtlinie: 2004/108/EG

Die Niederlande, Breda, 23-3-2011      Maurice de Vlieger  
Sales & Marketing Director      

**CE-DECLARATION OF CONFORMANCE**

THERMOBILE INDUSTRIES B.V.  
Konijnenberg 80 , 4825 BD BREDA,  
Declares fully under own responsibility that the products:

**OIL FIRED INDIRECT HEATER  
IMA-61/IMA-111/IMA-150/IMA-185**

To which this statement has reference to, are in conformity with the following regulations:

Machine-regulations: 2006/42/EC  
Low Voltage Directive: 2006/95/EC  
EMC-regulation: 2004/108/EC


The Netherlands, Breda, 23-3-2011      Maurice de Vlieger  
Sales & Marketing Director      

**DÉCLARATION DE CONFORMITÉ CE**

THERMOBILE INDUSTRIES B.V.  
Konijnenberg 80 , 4825 BD BREDA, LES PAYS-BAS,  
Déclare sous sa seule responsabilité que les produits:

**GÉNÉRATEURS AU FIOUL À ÉCHANGEUR  
IMA-61/IMA-111/IMA-150/IMA-185**

Auxquels se réfère cette déclaration, sont conformes aux normes suivantes:  
Directive sur les machines:2006/42/CE  
Directive sur la basse tension: 2006/95/CE  
Directive sur la compatibilité électromagnétique: 2004/108/CE

Les Pays-Bas, Breda, 23-3-2011      Maurice de Vlieger  
Sales & Marketing Director      

**DECLARACIÓN CE DE CONFORMIDAD**

THERMOBILE INDUSTRIES B.V.,  
Konijnenberg 80, NL-4825 BD BREDA,  
assume plena responsabilidad al declarar que los productos:

**CALENTADOR DE AIRE CALIENTE DE  
COMBUSTIÓN INDIRECTA IMA-61/IMA-111/IMA-150/IMA-185**

cumple con las siguientes directivas CE:  
Directiva de máquinas: 2006/42/CE  
Directiva de baja tensión: 2006/95/CE  
Directiva EMC: 2004/108/CE

Holanda, Breda, 09-05-2011      Maurice de Vlieger  
Sales & Marketing Director      

**ЕС-Декларация соответствия**

THERMOBILE INDUSTRIES B.V.,  
Konijnenberg 80, NL-4825 BD BREDA с  
полной ответственностью заявляет, что  
изделия:

**ЖИДКОТОПЛИВНЫЕ НАГРЕВАТЕЛИ  
НЕПРЯМОГО ТИПА IMA-61/IMA-111/IMA-150/IMA-185**

к которым относится данное заявление,  
соответствуют следующим директивам ЕС:

Нормы машинного оборудования 2006/42/ЕС  
Инструкция по работе с низким напряжением 2006/95/ЕС

Нидерланды, Бреда, 09-05-2011      Maurice de Vlieger  
Sales & Marketing Director      